

USER'S MANUAL
BEDIENUNGSANLEITUNG
MANUEL D'UTILISATION
MANUAL DE USUARIO
INSTRUKCJA OBSŁUGI
MANUALE D' USO
操作说明书
操作說明書



MAUI 5

ULTRA PORTABLE COLUMN **PA SYSTEM** WITH MIXER & BLUETOOTH®
LDMAUI5 (W)

CONTENTS / INHALTSVERZEICHNIS / CONTENU / CONTENIDO / TREŚĆ / CONTENUTO / 内容 / 内容

ENGLISH

PREVENTIVE MEASURES	3-4
INTRODUCTION	4
SETUP	5
CONNECTIONS, CONTROLS AND INDICATORS	6-7
LD SYSTEMS LECC DSP	7-8
SPECIFICATIONS	8
MANUFACTURER'S DECLARATIONS	9

DEUTSCH

SICHERHEITSHINWEISE	10-11
EINFÜHRUNG	11
AUFBAU	12
ANSCHLÜSSE, BEDIEN- UND ANZEIGEELEMENTE	13-14
LD SYSTEMS LECC DSP	14-15
TECHNISCHE DATEN	15
HERSTELLERERKLÄRUNGEN	16

FRANCAIS

MESURES PRÉVENTIVES	17-18
INTRODUCTION	18
MONTAGE	19
CONNECTEURS, CONTRÔLES ET INDICATEURS	20-21
FONCTIONS DSP LD SYSTEMS LECC	21-22
CARACTÉRISTIQUES TECHNIQUES	22
DECLARATIONS	23

ESPAÑOL

MEDIDAS DE SEGURIDAD	24-25
INTRODUCCIÓN	25
MONTAJE	26
CONEXIONES, CONTROLES E INDICADORES	27-28
PROCESADOR LECC DSP DE LD SYSTEMS	28-29
CARACTERÍSTICAS TÉCNICAS	29
DECLARACIÓN DEL FABRICANTE	30

POLSKI

ŚRODKI OSTROŻNOŚCI	31-30
WPROWADZENIE	32
MONTAŻ	33
PRZYŁĄCZA, ELEMENTY OBSŁUGI I WSKAŹNIKI	34-35
LD SYSTEMS LECC DSP	35-36
SPECYFIKACJE	36
DEKLARACJE PRODUCENTA	37

ITALIANO

MISURE PRECAUZIONALI	38-39
INTRODUZIONE	39
MONTAGGIO	40
CONNESSIONI, COMANDI E INDICATORI	41-42
ELABORATORE LECC DSP DI LD SYSTEMS	42-43
DATI TECNICI	43
DICHIARAZIONI DEL PRODUTTORE	44

汉字

安全提示	45-46
引言	46
安装	47
连接器、操纵及显示组件	48-49
LD 系统的 LECC DSP (LD SYSTEMS LECC DSP)	49
技术参数	50
制造商声明	50

漢字

安全提醒	51-52
引言	52
安裝	53
連接器、操縱及顯示元件	54-55
LD系統的LECC DSP (LD SYSTEMS LECC DSP)	55
技術參數	56
製造商聲明	56

YOU'VE MADE THE RIGHT CHOICE!

We have designed this product to operate reliably over many years. LD Systems stands for this with its name and many years of experience as a manufacturer of high-quality audio products. Please read this User's Manual carefully, so that you can begin making optimum use of your LD Systems product quickly.

You can find more information about **LD-SYSTEMS** at our Internet site WWW.LD-SYSTEMS.COM

PREVENTIVE MEASURES

1. Please read these instructions carefully.
2. Keep all information and instructions in a safe place.
3. Follow the instructions.
4. Observe all safety warnings. Never remove safety warnings or other information from the equipment.
5. Use the equipment only in the intended manner and for the intended purpose.
6. Use only sufficiently stable and compatible stands and/or mounts (for fixed installations). Make certain that wall mounts are properly installed and secured. Make certain that the equipment is installed securely and cannot fall down.
7. During installation, observe the applicable safety regulations for your country.
8. Never install and operate the equipment near radiators, heat registers, ovens or other sources of heat. Make certain that the equipment is always installed so that is cooled sufficiently and cannot overheat.
9. Never place sources of ignition, e.g., burning candles, on the equipment.
10. Ventilation slits must not be blocked.
11. Do not use this equipment in the immediate vicinity of water (does not apply to special outdoor equipment - in this case, observe the special instructions noted below. Do not expose this equipment to flammable materials, fluids or gases. Avoid direct sunlight!
12. Make certain that dripping or splashed water cannot enter the equipment. Do not place containers filled with liquids, such as vases or drinking vessels, on the equipment.
13. Make certain that objects cannot fall into the device.
14. Use this equipment only with the accessories recommended and intended by the manufacturer.
15. Do not open or modify this equipment.
16. After connecting the equipment, check all cables in order to prevent damage or accidents, e.g., due to tripping hazards.
17. During transport, make certain that the equipment cannot fall down and possibly cause property damage and personal injuries.
18. If your equipment is no longer functioning properly, if fluids or objects have gotten inside the equipment or if it has been damaged in another way, switch it off immediately and unplug it from the mains outlet (if it is a powered device). This equipment may only be repaired by authorized, qualified personnel.
19. Clean the equipment using a dry cloth.
20. Comply with all applicable disposal laws in your country. During disposal of packaging, please separate plastic and paper/cardboard.
21. Plastic bags must be kept out of reach of children.

FOR EQUIPMENT THAT CONNECTS TO THE POWER MAINS

22. **CAUTION:** If the power cord of the device is equipped with an earthing contact, then it must be connected to an outlet with a protective ground. Never deactivate the protective ground of a power cord.
23. If the equipment has been exposed to strong fluctuations in temperature (for example, after transport), do not switch it on immediately. Moisture and condensation could damage the equipment. Do not switch on the equipment until it has reached room temperature.
24. Before connecting the equipment to the power outlet, first verify that the mains voltage and frequency match the values specified on the equipment. If the equipment has a voltage selection switch, connect the equipment to the power outlet only if the equipment values and the mains power values match. If the included power cord or power adapter does not fit in your wall outlet, contact your electrician.
25. Do not step on the power cord. Make certain that the power cable does not become kinked, especially at the mains outlet and/or power adapter and the equipment connector.
26. When connecting the equipment, make certain that the power cord or power adapter is always freely accessible. Always disconnect the equipment from the power supply if the equipment is not in use or if you want to clean the equipment. Always unplug the power cord and power adapter from the power outlet at the plug or adapter and not by pulling on the cord. Never touch the power cord and power adapter with wet hands.
27. Whenever possible, avoid switching the equipment on and off in quick succession because otherwise this can shorten the useful life of the equipment.
28. **IMPORTANT INFORMATION:** Replace fuses only with fuses of the same type and rating. If a fuse blows repeatedly, please contact an authorised service centre.
29. To disconnect the equipment from the power mains completely, unplug the power cord or power adapter from the power outlet.
30. If your device is equipped with a Volex power connector, the mating Volex equipment connector must be unlocked before it can be removed. However, this also means that the equipment can slide and fall down if the power cable is pulled, which can lead to personal injuries and/or other damage. For this reason, always be careful when laying cables.
31. Unplug the power cord and power adapter from the power outlet if there is a risk of a lightning strike or before extended periods of disuse.



CAUTION: Never remove the cover, because otherwise there may be a risk of electric shock. There are no user serviceable parts inside. Have repairs carried out only by qualified service personnel.



The lightning flash with arrowhead symbol within an equilateral triangle is intended to alert the user to the presence of uninsulated "dangerous voltage" within the product's enclosure that may be of sufficient magnitude to constitute a risk of electrical shock.



The exclamation mark within an equilateral triangle is intended to alert the user to the presence of important operating and maintenance instructions.

CAUTION – HIGH VOLUME LEVELS WITH AUDIO PRODUCTS!

This equipment is intended for professional use. Therefore, commercial use of this equipment is subject to the respectively applicable national accident prevention rules and regulations. As a manufacturer, Adam Hall is obligated to notify you formally about the existence of potential health risks.

Hearing damage due to high volume and prolonged exposure: When in use, this product is capable of producing high sound-pressure levels (SPL) that can lead to irreversible hearing damage in performers, employees, and audience members.

For this reason, avoid prolonged exposure to volumes in excess of 90 dB.



To prevent possible hearing damage, avoid listening at high volume levels over long periods of time. Even exposure to short bursts of loud noise can result in hearing loss. Please keep the volume constantly at a comfortable level.

NOTE: This equipment has been tested and found to comply with the limits for a Class B digital device, pursuant to Part 15 of the FCC Rules. These limits are designed to provide reasonable protection against harmful interference in a residential installation. This equipment generates, uses and can radiate radio frequency energy and, if not installed and used in accordance with the instructions, may cause harmful interference to radio communications. However, there is no guarantee that interference will not occur in a particular installation. If this equipment does cause harmful interference to radio or television reception, which can be determined by turning the equipment off and on, the user is encouraged to try to correct the interference by one or more of the following measures:

- Reorient or relocate the receiving antenna.
- Increase the separation between the equipment and receiver.
- Connect the equipment into an outlet on a circuit different from that to which the receiver is connected.
- Consult the dealer or an experienced radio/TV technician for help.

INTRODUCTION

LD Systems MAUI 5 - ultra-compact column PA with integrated mixer and Bluetooth®

With just 11.3 kg in weight, the MAUI 5 is an ultra-compact PA and monitor system in one. The smallest member of the MAUI family is assembled in a matter of seconds thanks to the specially developed multi-pin connector and only four components, and boasts an extensive sound dispersion and high feedback resistance. The MAUI 5 is easy to carry and fits on any car seat. The bass reflex cabinet of the 8" subwoofer base also houses the Class D amplifier unit of the system with protection circuits against overcurrent, overheating and short-circuit, the LECC digital signal processing from LD Systems and a 4-channel mixer. Through the integrated Bluetooth® technology for wireless streaming, and simultaneous use of the microphone, line and high-impedance inputs, different signal sources can be connected to the MAUI 5, e.g. playback devices and instruments such as keyboards or guitars. The separate level controllers, volume controllers for subwoofer and system as well as a high-shelf filter to adjust the treble to the room acoustics, provide a perfectly tuned performance.

SETUP

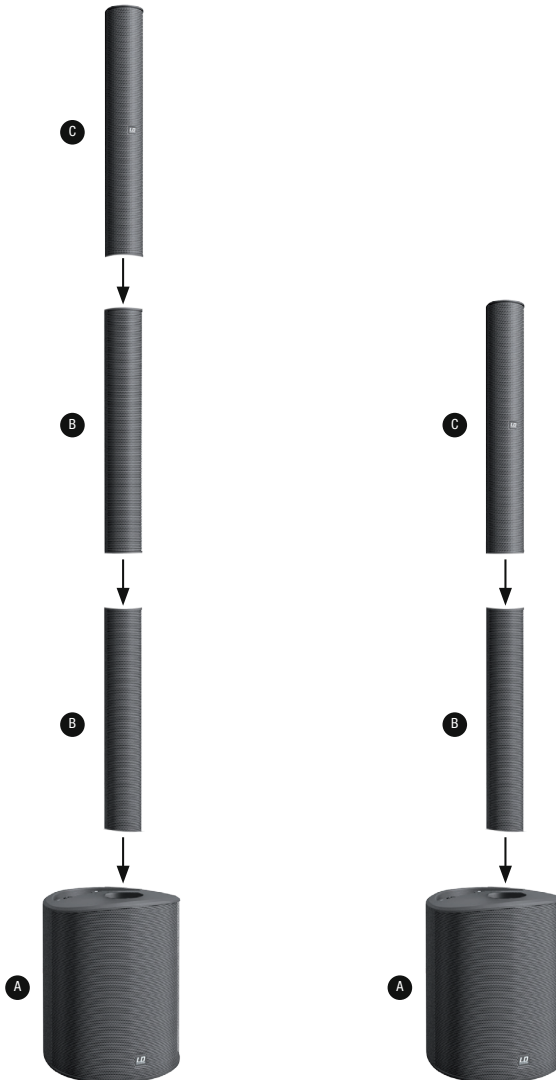
The LD Systems MAUI5 PA system consists of four components:

- A. Subwoofer with integrated electronics for all system components.
- B. Two identical spacers with connectors on bottom and top.
- C. Column element with the speakers and a connection on the bottom.

Once the subwoofer is placed in the desired location, plug the spacers into the subwoofer and then add the column element with the speakers. Depending on the application, the column element with the speakers can be operated with only one spacer on the subwoofer.

SETUP AND OPERATION

The device allows both the volume of the entire system and the volume of the subwoofer in relation to the total volume to be adjusted separately. Source devices can be connected using both balanced and unbalanced cables (XLR / 6.3 mm jack / mini jack). The integrated 4-channel mixer offers a microphone input, a high-impedance instrument input for an electric guitar for example, an input for source devices with line level and furthermore a Bluetooth unit.



CONNECTIONS, CONTROLS AND INDICATORS



1 MIC INPUT

Balanced microphone input (XLR / 6.3 mm jack combo) It is also possible to use an unbalanced microphone cable (mono jack). The microphone input has a built-in 100 Hz subsonic filter to suppress low-frequency noise. NOTE: There is no phantom power on the microphone input.

2 HI-Z INPUT

Mono input with 6.3 mm jack socket for acoustic or electric guitar. Both MP3 and HI-Z inputs can be used simultaneously; the volume ratio must be set on the instrument, or on the player.

3 MP3 INPUT

Stereo line input with 3.5 mm jack socket for an MP3 player or other playback device. An incoming stereo signal is mono summed internally. Both MP3 and HI-Z inputs can be used simultaneously; the volume ratio must be set on the instrument, or on the player.

4 LINE

Volume controller for the line channel (line inputs on the rear panel of the subwoofer). Turning the dial to the right increases the volume and turning it to the left decreases it.

5 MIC

Volume controller for the microphone channel. Turning the dial to the right increases the volume and turning it to the left decreases it.

6 MP3 / HI-Z

Volume controller for the MP3 or instrument channel Turning the dial to the right increases the volume and turning it to the left decreases it. Both MP3 and HI-Z inputs can be used simultaneously; the volume ratio must be set on the instrument, or on the player.

7 BLUETOOTH®

Volume controller for the Bluetooth® unit. Turning the dial to the right increases the volume and turning it to the left decreases it.

8 HI-BOOST

High shelf filter to adjust the treble to the room acoustics (left stop = neutral sound, right stop = increase treble).

9 SUB LEVEL

Adjusting the volume ratio of the subwoofer to the column loudspeaker.

10 MAIN LEVEL

Overall volume adjustment. The subwoofer volume is also adjusted in accordance with the preset level on the SUB LEVEL controller.

11 INDICATOR LEDS

ON: Lights up once the system is properly connected to the power mains and switched on.

SIGNAL: Lights up as soon as an audio signal is present. The signal acquisition is performed before the MAIN LEVEL controller.

LIMIT: Lights up if the loudspeaker system is operating in the clipping range. A short flash of the LED is not critical. To protect the system, an excessive signal level is gently turned down by the built-in limiter. If the limiter LED lights up permanently or for longer periods, reduce the volume level. Failure to do so may result in a distorted sound and damage to the speaker system.

PROTECT: Lights up if the system is overloaded/overheated. The amplifiers are muted automatically. Upon reaching normal operating conditions, the device reverts to normal operating mode after a few minutes.

12 BLUETOOTH® LED

The mixer of the LD MAUI 5 array system is equipped with Bluetooth, meaning that audio files from another Bluetooth device (e.g. smartphone) can be played back on the LD MAUI 5 speakers (maximum distance between both devices about 10 metres). If no Bluetooth device is connected to the internal Bluetooth unit, the blue Bluetooth LED does not light up; the LED flashes at a frequency of about 3 Hz during pairing; if the Bluetooth LED is on permanently, then a Bluetooth connection is established and the track playback can be started. The volume is adjusted using the Bluetooth® volume controller (N 7) or on the source device.

13 HOLD TO LINK

To pair and connect the internal Bluetooth device with a Bluetooth-enabled device, press and hold the HOLD TO LINK button for approx. 5 seconds until the Bluetooth LED flashes (approx. 3 Hz), enable Bluetooth on your Bluetooth device and search for available devices on the user interface. Select "LD MAUI5" and pair your Bluetooth device with the internal Bluetooth device. The playback can now start. To end the connection, press and hold the HOLD TO LINK button again for approx. 3 seconds. If the Bluetooth connection is interrupted (e.g. the range is exceeded), the Bluetooth LED goes out. Within approximately 90 seconds, the connection will automatically be restored (Bluetooth device back within range). When 90 seconds is exceeded, the Bluetooth module of the LD MAUI 5 speaker will automatically be disabled.

14 LINE INPUT LEFT / RIGHT

Balanced line input with XLR / 6.3 mm combo jack sockets (left / right) for connecting an external audio source (e.g. mixer, keyboard). When connecting a Mono signal source, please use the line input LEFT / MONO.

15 POWER CONNECTOR WITH FUSE HOLDER

IEC power socket with built-in fuse holder. An appropriate power cord is included in the delivery. The LD Systems MAUI 5 PA system is intended for 2 operating voltage ranges (100 V - 120 V AC and 200 V - 240 V AC). The conversion is done automatically. **IMPORTANT INFORMATION:** Replace the fuse only with a fuse of the same type and rating. Please observe the label on the housing. If the fuse blows repeatedly, please contact an authorised service centre.

16 POWER ON / OFF

On / Off switch for the power supply of the device.

LD SYSTEMS LECC DSP

WHAT DOES LD SYSTEMS LECC DSP STAND FOR?

DSP stands for Digital Signal Processing, and LECC for Limiter, EQ, Compressor and Crossover. The digital signal processing ensures maximum audio performance with maximum clarity and protects the PA system from overload.

WHAT EXACTLY DOES THE LECC DSP DO?

The Limiter function protects the speakers and prevents distortions caused by overload. Separate limiters for the bass, midrange and high range attenuate the signal when the level exceeds a value which could have a negative effect. Each limiter is optimised for one of the three seamlessly contiguous frequency ranges (multi-band limiter). The system can be operated in this manner with a higher overall sound pressure as extreme peaks are automatically lowered, so that the total volume does not need to be reduced. The Multiband EQ works over the entire frequency range and optimises the overall sound of the system.

The Compressor is switched on automatically to raise the bass response and create a punchier sound. When the volume is increased, the bass boost is automatically reduced. The automatically controlled bass blends perfectly into the overall sound.

The Crossovers divide the audio signal according to the frequency range of the respective speakers, namely the subwoofer or the mids and tweeters of the array column. The amplitude and running-time optimisation of the crossover ensures that all frequencies are output evenly and reach the listener at the same time.

SPECIFICATIONS

Model Name	LDMAU15 (W)
Type:	Ultra-Portable Column PA System with Mixer and Bluetooth
Subwoofer:	1 x 8" Bass reflex
Vertical array system:	4 x 3"
Amplification:	Class D
Dispersion (H x V):	120° x 20°
Power Output (RMS/Peak)	2 x 100 W / 2 x 400 W
Frequency response:	50 Hz - 20 kHz
Max. SPL (peak):	120 dB
Protection:	DSP based multiband limiter, Short circuit, over current, overheating
Controls:	Main Level, Subwoofer Level, Hi Boost, Mic Level, MP3/Hi-Z Level, Line Level, Bluetooth® Level, Bluetooth® Button, ON/OFF switch
Indicators:	On, signal, limit, protect, Bluetooth®
Subwoofer connectors:	Line Input: 2 x XLR/6,3 mm Jack Combo, Mic input: XLR / 6,3 mm Jack, MP3 input: 3,5 mm Jack, Hi-Z input: 6,3 mm Jack
Column connectors:	Custom made multi pin connector
Cabinet material:	ABS
Power Supply:	SMPS
Power Connector:	IEC
Operating Voltage:	AC 100-120V, 50/60Hz AC 200-240V, 50/60Hz
Power Consumption (max.):	300W
Temperature Range:	0°C - 50°C
Humidity Range:	10% - 70% rel. (non condensing)
Dimensions (W x H x D):	Subwoofer: 305 x 405 x 395 mm Column (3 pcs): 82 x 535 x 105 mm
Weight:	11.3 kg
Features:	Signal processing LD LECC DSP (limiter, equalizer, compressor, crossover), Hi Boost, 100Hz low cut in Mic channel, easy connection with multipin plug, Bluetooth®
Available Accessories:	Transport bag for column speakers (LDM5SATBAG), Protective cover for subwoofer (LDM5SUBPC)

MANUFACTURER'S DECLARATIONS

MANUFACTURER'S WARRANTY & LIMITATIONS OF LIABILITY

You can find our current warranty conditions and limitations of liability at: <http://www.adamhall.com/media/shop/downloads/documents/manufacturersdeclarations.pdf>. To request warranty service for a product, please contact Adam Hall GmbH, Daimler Straße 9, 61267 Neu Anspach / Email: Info@adamhall.com / +49 (0)6081 / 9419-0. To enquire about the current declaration of conformity, please contact info@adamhall.com.



CORRECT DISPOSAL OF THIS PRODUCT

(valid in the European Union and other European countries with a differentiated waste collection system)

■ This symbol on the product, or on its documents indicates that the device may not be treated as household waste. This is to avoid environmental damage or personal injury due to uncontrolled waste disposal. Please dispose of this product separately from other waste and have it recycled to promote sustainable economic activity. Household users should contact either the retailer where they purchased this product, or their local government office, for details on where and how they can recycle this item in an environmentally friendly manner. Business users should contact their supplier and check the terms and conditions of the purchase contract. This product should not be mixed with other commercial waste for disposal.

FCC STATEMENT

This device complies with Industry Canada licence-exempt RSS standard(s). Operation is subject to the following two conditions:

- (1) this device may not cause interference, and
- (2) this device must accept any interference, including interference that may cause undesired operation of the device.

Under Industry Canada regulations, this radio transmitter may only operate using an antenna of a type and maximum (or lesser) gain approved for the transmitter by Industry Canada. To reduce potential radio interference to other users, the antenna type and its gain should be so chosen that the equivalent isotropically radiated power (e.i.r.p.) is not more than that necessary for successful communication.

This equipment should be installed and operated with a minimum distance 20cm between the radiator and your body.

SIE HABEN DIE RICHTIGE WAHL GETROFFEN!

Dieses Gerät wurde unter hohen Qualitätsanforderungen entwickelt und gefertigt, um viele Jahre einen reibungslosen Betrieb zu gewährleisten. Dafür steht LD Systems mit seinem Namen und der langjährigen Erfahrung als Hersteller hochwertiger Audioprodukte. Bitte lesen Sie diese Bedienungsanleitung sorgfältig, damit Sie Ihr neues Produkt von LD Systems schnell optimal einsetzen können.

Mehr Informationen zu **LD SYSTEMS** finden Sie auf unserer Internetseite WWW.LD-SYSTEMS.COM

SICHERHEITSHINWEISE

1. Lesen Sie diese Anleitung bitte sorgfältig durch.
2. Bewahren Sie alle Informationen und Anleitungen an einem sicheren Ort auf.
3. Befolgen Sie die Anweisungen.
4. Beachten Sie alle Warnhinweise. Entfernen Sie keine Sicherheitshinweise oder andere Informationen vom Gerät.
5. Verwenden Sie das Gerät nur in der vorgesehenen Art und Weise.
6. Verwenden Sie ausschließlich stabile und passende Stative bzw. Befestigungen (bei Festinstallationen). Stellen Sie sicher, dass Wandhalterungen ordnungsgemäß installiert und gesichert sind. Stellen Sie sicher, dass das Gerät sicher installiert ist und nicht herunterfallen kann.
7. Beachten Sie bei der Installation die für Ihr Land geltenden Sicherheitsvorschriften.
8. Installieren und betreiben Sie das Gerät nicht in der Nähe von Heizkörpern, Wärmespeichern, Öfen oder sonstigen Wärmequellen. Sorgen Sie dafür, dass das Gerät immer so installiert ist, dass es ausreichend gekühlt wird und nicht überhitzen kann.
9. Platzieren Sie keine Zündquellen wie z.B. brennende Kerzen auf dem Gerät.
10. Lüftungsschlitze dürfen nicht blockiert werden.
11. Betreiben Sie das Gerät nicht in unmittelbarer Nähe von Wasser. Bringen Sie das Gerät nicht mit brennbaren Materialien, Flüssigkeiten oder Gasen in Berührung. Direkte Sonneneinstrahlung vermeiden!
12. Sorgen Sie dafür, dass kein Tropf- oder Spritzwasser in das Gerät eindringen kann. Stellen Sie keine mit Flüssigkeit gefüllten Behältnisse wie Vasen oder Trinkgefäße auf das Gerät.
13. Sorgen Sie dafür, dass keine Gegenstände in das Gerät fallen können.
14. Betreiben Sie das Gerät nur mit dem vom Hersteller empfohlenen und vorgesehenen Zubehör.
15. Öffnen Sie das Gerät nicht und verändern Sie es nicht.
16. Überprüfen Sie nach dem Anschluss des Geräts alle Kabelwege, um Schäden oder Unfälle, z. B. durch Stolperfallen zu vermeiden.
17. Achten Sie beim Transport darauf, dass das Gerät nicht herunterfallen und dabei möglicherweise Sach- und Personenschäden verursachen kann.
18. Wenn Ihr Gerät nicht mehr ordnungsgemäß funktioniert, Flüssigkeiten oder Gegenstände in das Geräteinnere gelangt sind, oder das Gerät anderweitig beschädigt wurde, schalten Sie es sofort aus und trennen es von der Netzsteckdose (sofern es sich um ein aktives Gerät handelt). Dieses Gerät darf nur von autorisiertem Fachpersonal repariert werden.
19. Verwenden Sie zur Reinigung des Geräts ein trockenes Tuch.
20. Beachten Sie alle in Ihrem Land geltenden Entsorgungsgesetze. Trennen Sie bei der Entsorgung der Verpackung bitte Kunststoff und Papier bzw. Kartonagen voneinander.
21. Kunststoffbeutel müssen außer Reichweite von Kindern aufbewahrt werden.

BEI GERÄTEN MIT NETZANSCHLUSS

22. **ACHTUNG:** Wenn das Netzkabel des Geräts mit einem Schutzkontakt ausgestattet ist, muss es an einer Steckdose mit Schutzleiter angeschlossen werden. Deaktivieren Sie niemals den Schutzleiter eines Netzkabels.
23. Schalten Sie das Gerät nicht sofort ein, wenn es starken Temperaturschwankungen ausgesetzt war (beispielsweise nach dem Transport). Feuchtigkeit und Kondensat könnten das Gerät beschädigen. Schalten Sie das Gerät erst ein, wenn es Zimmertemperatur erreicht hat.
24. Bevor Sie das Gerät an die Steckdose anschließen, prüfen Sie zuerst, ob die Spannung und die Frequenz des Stromnetzes mit den auf dem Gerät angegebenen Werten übereinstimmen. Verfügt das Gerät über einen Spannungswahlschalter, schließen Sie das Gerät nur an die Steckdose an, wenn die Gerätewerte mit den Werten des Stromnetzes übereinstimmen. Wenn das mitgelieferte Netzkabel bzw. der mitgelieferte Netzadapter nicht in Ihre Netzsteckdose passt, wenden Sie sich an Ihren Elektriker.
25. Treten Sie nicht auf das Netzkabel. Sorgen Sie dafür, dass spannungsführende Kabel speziell an der Netzbuchse bzw. am Netzadapter und der Gerätebuchse nicht geknickt werden.
26. Achten Sie bei der Verkabelung des Geräts immer darauf, dass das Netzkabel bzw. der Netzadapter stets frei zugänglich ist. Trennen Sie das Gerät stets von der Stromzuführung, wenn das Gerät nicht benutzt wird, oder Sie das Gerät reinigen möchten. Ziehen Sie Netzkabel und Netzadapter immer am Stecker bzw. am Adapter und nicht am Kabel aus der Steckdose. Berühren Sie Netzkabel und Netzadapter niemals mit nassen Händen.
27. Schalten Sie das Gerät möglichst nicht schnell hintereinander ein und aus, da sonst die Lebensdauer des Geräts beeinträchtigt werden könnte.
28. **WICHTIGER HINWEIS:** Ersetzen Sie Sicherungen ausschließlich durch Sicherungen des gleichen Typs und Wertes. Sollte eine Sicherung wiederholt auslösen, wenden Sie sich bitte an ein autorisiertes Servicezentrum.
29. Um das Gerät vollständig vom Stromnetz zu trennen, entfernen Sie das Netzkabel bzw. den Netzadapter aus der Steckdose.
30. Wenn Ihr Gerät mit einem verriegelbaren Netzanschluss bestückt ist, muss der passende Gerätestecker entsperrt werden, bevor er entfernt werden kann. Das bedeutet aber auch, dass das Gerät durch ein Ziehen am Netzkabel verrutschen und herunterfallen kann, wodurch Personen verletzt werden und/oder andere Schäden auftreten können. Verlegen Sie Ihre Kabel daher immer sorgfältig.
31. Entfernen Sie Netzkabel und Netzadapter aus der Steckdose bei Gefahr eines Blitzschlags oder wenn Sie das Gerät länger nicht verwenden.



ACHTUNG

Entfernen Sie niemals die Abdeckung, da sonst das Risiko eines elektrischen Schlages besteht. Im Inneren des Geräts befinden sich keine Teile, die vom Bediener repariert oder gewartet werden können. Lassen Sie Reparaturen ausschließlich von qualifiziertem Servicepersonal durchführen.



Das gleichschenkelige Dreieck mit Blitzsymbol warnt vor nichtisolierten, gefährlichen Spannungen im Geräteinneren, die einen elektrischen Schlag verursachen können.



Das gleichschenkelige Dreieck mit Ausrufungszeichen kennzeichnet wichtige Bedienungs- und Wartungshinweise.

ACHTUNG HOHE LAUTSTÄRKEN BEI AUDIOPRODUKTEN!

Dieses Gerät ist für den professionellen Einsatz vorgesehen. Der kommerzielle Betrieb dieses Geräts unterliegt den jeweils gültigen nationalen Vorschriften und Richtlinien zur Unfallverhütung. Als Hersteller ist Adam Hall gesetzlich verpflichtet, Sie ausdrücklich auf mögliche Gesundheitsrisiken hinzuweisen.

Gehörschäden durch hohe Lautstärken und Dauerbelastung: Bei der Verwendung dieses Produkts können hohe Schalldruckpegel (SPL) erzeugt werden, die bei Künstlern, Mitarbeitern und Zuschauern zu irreparablen Gehörschäden führen können.



Um eine mögliche Schädigung des Hörsinns zu verhindern, vermeiden Sie das Hören bei großem Lautstärkepegel über lange Zeiträume. Lauter Schalleinfluss kann selbst bei kurzer Dauer zu Hörschäden führen. Bitte halten Sie die Lautstärke immer auf einem angenehmen Level.

HINWEIS: Dieses Gerät wurde getestet und entspricht den Grenzwerten digitaler Geräte der Klasse B gemäß Abschnitt 15 der FCC-Bestimmungen. Diese Grenzwerte bieten ausreichenden Schutz gegen Interferenzen bei der Installation in Wohnräumen. Dieses Gerät erzeugt und nutzt hochfrequente Energie und kann sie ausstrahlen. Wenn es nicht nach den Anweisungen des Herstellers aufgestellt und betrieben wird, können Störungen im Radio-/Fernsehempfang auftreten. In diesem Sinne kann nicht zugesichert werden, dass in bestimmten Installationen keine Einstreuungen auftreten. Wenn dieses Gerät störend in den Radio- und/oder Fernsehempfang einstreut und dieser Zustand durch Ein- und Ausschalten des Geräts verifiziert werden kann, sollte der Anwender versuchen, die Einstreuungen durch eine oder mehrere der folgenden Maßnahmen aufzuheben:

- Richten Sie die Empfangsantenne neu aus oder stellen Sie diese anders auf.
- Vergrößern Sie den Abstand zwischen dem Gerät und dem Empfänger.
- Schließen Sie das Gerät an einen anderen Stromkreis an, mit dem der Empfänger nicht verbunden ist.
- Wenden Sie sich bei Problemen an Ihren Händler oder an einen erfahrenen Radio-/TV-Techniker.

EINFÜHRUNG

LD Systems MAUI 5 – ultrakompakte Säulen-PA mit integriertem Mixer und Bluetooth®

Die MAUI 5 ist mit nur 11,3 kg Gewicht ein ultrakompaktes PA- und Monitorsystem in Einem. Die kleinste Anlage der MAUI-Familie ist durch den eigens entwickelten Multipin-Verbinder und lediglich 4 Komponenten in Sekundenschnelle aufgebaut und überzeugt mit ausgedehnter Abstrahlung und hoher Rückkopplungsfestigkeit. Die MAUI 5 lässt sich bequem tragen und passt auf jeden PKW-Sitz. Das Bassreflexgehäuse der 8" Subwoofer-Basis beherbergt zugleich die Class-D-Verstärkereinheit des Systems mit Schutzschaltungen gegen Überstrom, Überhitzung und Kurzschluss, die digitale LECC-Signalbearbeitung von LD Systems und einen 4-Kanal-Mixer. Durch die integrierte Bluetooth®-Technik für kabelloses Streaming sowie gleichzeitig belegbare Mikrofon-, Line- und hochohmige Eingänge können die unterschiedlichsten Signalquellen an die MAUI 5 angeschlossen werden, z.B. Abspielgeräte und Instrumente wie Keyboards oder Gitarren. Separate Pegelsteller, Lautstärkereglern für Subwoofer und System sowie ein High-Shelf-Filter zur Anpassung der Höhenwiedergabe an die Raumakustik ermöglichen eine perfekt abgestimmte Performance.

ALLGEMEINE HINWEISE

Der Subwoofer des LD Systems MAUI5 PA-Systems muss vor der Inbetriebnahme senkrecht auf ebener Fläche auf seine Füße gestellt werden. Betreiben Sie das System niemals auf einem Rollwagen, da die Gefahr besteht, dass sich das gesamte System unkontrolliert in Bewegung setzt. Unfälle und Beschädigungen können die Folge sein. Um eine ausreichende Kühlung zu gewährleisten, muss bei Betrieb zwischen der Rückseite des Subwoofers und anderen Objekten wie Wänden o. ä. ein Mindestabstand von 50 cm eingehalten werden. Bitte achten Sie bei dem System sowie den angeschlossenen Geräten wie Mischpulten, CD-Playern etc. auf den korrekten Anschluss von Audio- und Stromverbindungen. Verwenden Sie ausschließlich unbeschädigte Kabel mit geeignetem Durchmesser und rollen Sie Kabelrollen immer vollständig ab. Verwenden Sie gegebenenfalls Kabelbrücken, um Stolperfallen durch lose Kabel zu vermeiden. Stellen Sie das Gerät niemals direkt an einer Kante auf. Positionieren Sie den Subwoofer nicht auf einem Tisch. Um ungewollte Nebengeräusche beim Einschalten angeschlossener Geräte zu vermeiden, schalten Sie das System immer als letztes Gerät ein und als erstes Gerät aus.

AUFBAU

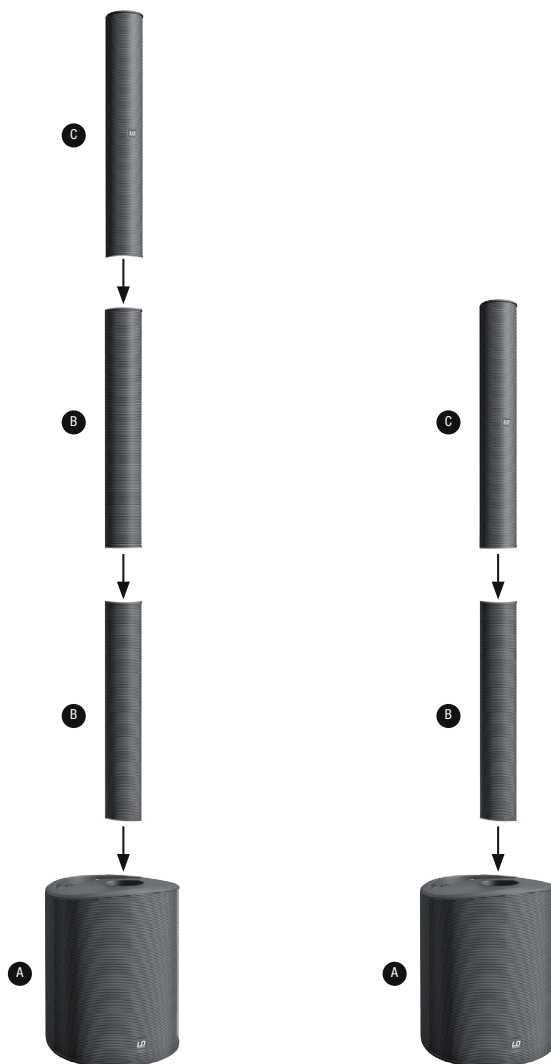
Das LD Systems MAUI5 PA-System besteht aus vier Komponenten:

- A. Subwoofer mit integrierter Elektronik für alle Systemkomponenten.
- B. Zwei identische Distanzstücke mit Anschlüssen auf Unter- und Oberseite.
- C. Säulenelement mit den Lautsprechern und dem Anschluss auf der Unterseite.

Nachdem der Subwoofer an der gewünschten Stelle aufgestellt wurde, werden die Distanzstücke auf den Subwoofer aufgesteckt und danach das Säulenelement mit den Lautsprechern. Je nach Anwendung kann das Säulenelement mit den Lautsprechern auch mit nur einem Distanzstück auf dem Subwoofer betrieben werden.

ANSCHLUSS UND BETRIEB

Am Gerät lässt sich sowohl die Lautstärke des gesamten Systems als auch die Lautstärke des Subwoofers im Verhältnis zur Gesamtlautstärke einstellen. Zuspieldgeräte lassen sich sowohl über symmetrische als auch unsymmetrische Kabel (XLR / 6,3 mm Klinke / Mini-Klinke) anschließen. Das integrierte 4-Kanal Mischpult bietet einen Mikrofoneingang, einen hochohmigen Instrumenteneingang für z.B. eine E-Gitarre, einen Eingang für Zuspieldgeräte mit Line-Pegel und darüber hinaus eine Bluetooth-Einheit.



ANSCHLÜSSE, BEDIEN- UND ANZEIGEELEMENTE



1 MIC INPUT

Symmetrischer Mikrofoneingang (XLR / 6,3 mm Klinke Combo). Die Nutzung eines unsymmetrischen Mikrofonkabels (Mono-Klinke) ist ebenfalls möglich. Der Mikrofoneingang verfügt über ein eingebautes 100Hz Trittsschallfilter um störende tieffrequente Signalanteile zu unterdrücken. HINWEIS: Am Mikrofoneingang liegt keine Phantomspeisung an.

2 HI-Z INPUT

Mono-Eingang mit 6,3 mm Klinken-Buchse für Akustik- oder E-Gitarre. Die beiden Eingänge MP3 und HI-Z können simultan genutzt werden, das Lautstärkenverhältnis muss am Instrument, bzw. am Zuspielderät eingestellt werden.

3 MP3 INPUT

Stereo-Line-Eingang mit 3,5 mm Klinken-Buchse für einen MP3-Player oder ein anderes Zuspielderät. Ein anliegendes Stereo-Signal wird intern Mono summiert. Die beiden Eingänge MP3 und HI-Z können simultan genutzt werden, das Lautstärkenverhältnis muss am Instrument, bzw. am Zuspielderät eingestellt werden.

4 LINE

Lautstärkeregler für den Line-Kanal (Line-Eingänge auf der Rückseite des Subwoofers). Nach links gedreht verringert sich, nach rechts gedreht erhöht sich die Lautstärke.

5 MIC

Lautstärkeregler für den Mikrofon-Kanal. Nach links gedreht verringert sich, nach rechts gedreht erhöht sich die Lautstärke.

6 MP3 / HI-Z

Lautstärkeregler für den MP3-, bzw. Instrumenten-Kanal. Nach links gedreht verringert sich, nach rechts gedreht erhöht sich die Lautstärke. Die beiden Eingänge MP3 und HI-Z können simultan genutzt werden, das Lautstärkenverhältnis muss am Instrument, bzw. am Zuspielderät eingestellt werden.

7 BLUETOOTH®

Lautstärkeregler für die Bluetooth®-Einheit. Nach links gedreht verringert sich, nach rechts gedreht erhöht sich die Lautstärke.

8 HI-BOOST

High-Shelf-Filter zur Anpassung der Höhenwiedergabe an die Raumakustik (Linksanschlag = neutraler Klang, Drehung nach rechts = Höhenanhebung).

9 SUB LEVEL

Einstellung des Lautstärkeverhältnisses des Subwoofers zum Säulenlautsprecher.

10 MAIN LEVEL

Einstellung der Gesamtlautstärke. Die Subwooferlautstärke wird entsprechend der Voreinstellung am SUB LEVEL Pegelsteller mitgeregelt.

11 ANZEIGE LEDS

ON: Leuchtet, wenn das Gerät korrekt am Stromnetz angeschlossen und eingeschaltet ist.

SIGNAL: Leuchtet auf, wenn am Gerät ein Audiosignal anliegt. Die Signalerfassung erfolgt vor dem MAIN LEVEL-Regler.

LIMIT: Leuchtet auf, wenn das Lautsprecher-System im oberen Grenzbereich betrieben wird. Ein kurzes Aufleuchten der LED ist dabei unkritisch. Um das System zu schützen, wird ein überhöhter Signal-Pegel vom integrierten Limiter sanft heruntergeregelt. Leuchtet die Limiter-LED länger oder dauerhaft, reduzieren Sie den Lautstärkepegel. Eine Nichtbeachtung kann zu einer verzerrten Klangwiedergabe und zur Beschädigung des Lautsprechersystems führen.

PROTECT: Leuchtet auf, falls das System überlastet/überhitzt. Die Verstärker werden automatisch stummgeschaltet. Nach Erreichen normaler Betriebsbedingungen wechselt das Gerät nach einigen Minuten wieder in den normalen Betriebsmodus.

12 BLUETOOTH® LED

Das Mischpult des LD MAUI 5 Array Systems ist mit Bluetooth ausgestattet, was bedeutet, dass Audio-Dateien eines anderen Bluetooth-Geräts (z.B. Smartphone) auf den LD MAUI 5 Lautsprechern wiedergegeben werden können (maximale Entfernung zwischen beiden Geräten ca. 10 Meter). Ist kein Bluetooth-Gerät mit der internen Bluetooth-Einheit verbunden, zeigt die blaue Bluetooth-LED kein Signal an, während der Kopplungsbereitschaft blinkt die LED rhythmisch in einer Frequenz von ca. 3 Hz, leuchtet die Bluetooth-LED permanent, besteht eine Bluetooth-Verbindung und die Titelwiedergabe kann gestartet werden. Die Lautstärkeneinstellung erfolgt mit Hilfe des Bluetooth® Lautstärkereglers (Nr. 7), bzw. am Zuspielgerät.

13 HOLD TO LINK

Um die interne Bluetooth-Einheit mit einem Bluetooth-Gerät zu koppeln und zu verbinden, drücken und halten Sie den HOLD to LINK-Taster für ca. 5 Sekunden bis die Bluetooth-LED rhythmisch blinkt (ca. 3 Hz), aktivieren Bluetooth auf Ihrem Bluetooth-Gerät und suchen auf der Benutzeroberfläche nach verfügbaren Geräten. Wählen Sie den Eintrag „LD MAUI5“ und koppeln damit Ihr Bluetooth-Gerät mit der Bluetooth-Einheit.

Die Titelwiedergabe kann nun gestartet werden. Um die Verbindung zu beenden, drücken und halten Sie den HOLD to LINK-Taster abermals für ca. 3 Sekunden. Wird die Bluetooth-Verbindung unterbrochen (z.B. überschreiten der Reichweite), erlischt die Bluetooth-LED. Innerhalb von ca. 90 Sekunden kann die Verbindung automatisch wiederhergestellt werden (Bluetooth-Gerät wieder in Reichweite). Bei Überschreiten der Zeitdauer von 90 Sekunden, wird das Bluetooth-Modul des LD MAUI 5 Lautsprechers automatisch deaktiviert.

14 LINE INPUT LEFT / RIGHT

Symmetrischer Line-Eingang mit XLR / 6,3 mm Klinke Combo-Buchsen (links / rechts) zum Anschließen eines Zuspielgeräts (z.B. Mischpult, Keyboard). Beim Anschließen einer Mono-Signalquelle verwenden Sie bitte den Line-Eingang LEFT / MONO.

15 NETZBUCHSE UND SICHERUNGSHALTER

IEC Netzbuchse mit integriertem Sicherungshalter. Ein geeignetes Netzkabel befindet sich im Lieferumfang. Das LD Systems MAUI 5 Array System ist für 2 Betriebsspannungsbereiche vorgesehen (100 V - 120 V AC und 200 V - 240 V AC). Die Umstellung erfolgt automatisch. **WICHTIGER HINWEIS:** Ersetzen Sie die Sicherung ausschließlich durch eine Sicherung des gleichen Typs und mit gleichen Werten. Achten Sie auf den Aufdruck auf dem Gehäuse. Sollte die Sicherung wiederholt auslösen, wenden Sie sich bitte an ein autorisiertes Servicezentrum.

16 POWER ON / OFF

Ein- / Ausschalter für die Spannungszufuhr des Geräts.

LD SYSTEMS LECC DSP

WAS BEDEUTET DIE BEZEICHNUNG LD SYSTEMS LECC DSP?

DSP ist die Abkürzung für Digital Signal Processing (Digitale Signalverarbeitung), LECC für Limiter, EQ, Compressor und Crossover (Limiter, EQ, Kompressor und Frequenzweiche). Die digitale Signalverarbeitung gewährleistet eine optimale Audiowiedergabe mit maximaler Klarheit und schützt gleichzeitig das PA-System vor Überlastung.

WAS GENAU BEWIRKT LECC DSP?

Die Limiter-Funktion schützt die Lautsprecher und verhindert durch Übersteuerung verursachte Verzerrungen. Separate Limiter für den Bass- Mitten- und Höhenbereich schwächen das Signal ab, sobald der Pegel einen Wert übersteigt, der sich negativ auswirken könnte. Jeder Limiter ist für einen der drei nahtlos aneinander anschließenden Frequenzbereiche optimiert (Multiband-Limiter). Das System lässt sich auf diese Weise mit einem insgesamt höheren Schalldruck betreiben, da extreme Signalspitzen automatisch abgeschwächt werden, sodass die Gesamtlautstärke nicht reduziert werden muss. Der Multiband-EQ bearbeitet den gesamten Frequenzbereich und optimiert den Gesamtklang des Systems.

Der Kompressor wird automatisch zugeschaltet, um die Bässe anzuheben und damit einen druckvolleren Sound zu erzeugen. Mit steigender Lautstärke wird der Bass-Boost automatisch reduziert. Die auf diese Weise automatisch gesteuerten Bässe fügen sich optimal in den Gesamtklang ein.

Die Frequenzweichen teilen das Audiosignal je nach Frequenzbereich den jeweiligen Lautsprechern, also dem Subwoofer bzw. den Mittel- und Hochtönern der Array-Säule zu. Die Amplituden- und Laufzeit-Optimierung der Frequenzweichen sorgt dafür, dass alle Frequenzen gleichmäßig ausgegeben werden und den Zuhörer zeitgleich erreichen.

TECHNISCHE DATEN

Modellbezeichnung:	LDMAU5 (W)
Typ:	Ultrakompaktes Säulen PA-System mit integriertem Mischpult und Bluetooth
Subwoofer:	1 x 8" Bassreflex
Vertikales Array-System:	4 x 3"
Verstärker:	Class D
Abstrahlwinkel (H x V):	120° x 20°
Ausgangsleistung (RMS/Peak)	2 x 100 W / 2 x 400 W
Frequenzgang:	50 Hz – 20 kHz
Max. Schalldruck (Peak):	120 dB
Schutzschaltungen:	Multiband-Limiter (DSP), Kurzschluss, Überspannung, Überhitzung
Bedienelemente:	Main Level, Subwoofer Level, Hi Boost, Mic Level, MP3/Hi-Z Level, Line Level, Bluetooth® Level, Bluetooth®-Taste, ON/OFF-Schalter
Anzeigelemente:	On, Signal, Limit, Protect, Bluetooth®
Anschlüsse Subwoofer:	Line-Eingang: 2x Combo-Buchsen XLR/6,3 mm Klinke, Mikrofoneingang: XLR/6,3 mm Klinke, MP3-Eingang: 3,5 mm Klinke, Hi-Z-Eingang: 6,3 mm Klinke
Anschlüsse Säulenslautsprecher:	Spezieller mehrpoliger Anschluss
Gehäusematerial:	ABS
Stromversorgung:	Schaltnetzteil
Stromanschluss:	IEC
Betriebsspannung:	AC 100 – 120 V, 50/60 Hz AC 200 – 240 V, 50/60Hz
Leistungsaufnahme (Max.):	300W
Temperaturbereich:	0°C - 50°C
Luftfeuchtigkeit:	10% – 70% rel. (nicht kondensierend)
Abmessungen (B x H x T):	Subwoofer: 305 x 405 x 395 mm Säulenslautsprecher (3 Stk.): 82 x 535 x 105 mm
Gewicht:	11,3 kg
Features:	Signalverarbeitung mit LD LECC DSP (Limiter, Equalizer, Kompressor, Frequenzweiche), Hi Boost, 100 Hz Hochpassfilter im Mikrofonkanal, einfacher Anschluss über mehrpoligen Stecker, Bluetooth®
Erhältliches Zubehör:	Transporttasche für Säulenslautsprecher (LDM5SATBAG), Schutzhülle für Subwoofer (LDM5SUBPC)

HERSTELLERERKLÄRUNGEN

ENGLISH

HERSTELLERGARANTIE & HAFTUNGSBESCHRÄNKUNG

Unsere aktuellen Garantiebedingungen und Haftungsbeschränkung finden Sie unter: <http://www.adamhall.com/media/shop/downloads/documents/manufacturersdeclarations.pdf>. Im Service Fall wenden Sie sich bitte an Adam Hall GmbH, Daimlerstraße 9, 61267 Neu Anspach / E-Mail Info@adamhall.com / +49 (0)6081 / 9419-0. Die aktuelle Konformitätserklärung können Sie unter info@adamhall.com anfragen.

DEUTSCH

KORREKTE ENTSORGUNG DIESES PRODUKTS

(Gültig in der Europäischen Union und anderen europäischen Ländern mit Mülltrennung) Dieses Symbol auf dem Produkt oder dazu-gehörigen Dokumenten weist darauf hin, dass das Gerät am Ende der Produktlebenszeit nicht zusammen mit dem normalen Hausmüll entsorgt werden darf, um Umwelt- oder Personenschäden durch unkontrollierte Abfallentsorgung zu vermeiden. Bitte entsorgen Sie dieses Produkt getrennt von anderen Abfällen und führen es zur Förderung nachhaltiger Wirtschaftskreisläufe dem Recycling zu. Als Privatkunde erhalten Sie Informationen zu umweltfreundlichen Entsorgungsmöglichkeiten über den Händler, bei dem das Produkt erworben wurde, oder über die entsprechenden regionalen Behörden. Als gewerblicher Nutzer kontaktieren Sie bitte Ihren Lieferanten und prüfen die ggf. vertraglich vereinbarten Konditionen zur Entsorgung der Geräte. Dieses Produkt darf nicht zusammen mit anderen gewerblichen Abfällen entsorgt werden.

FRANCAIS

ESPAÑOL

POLSKI

ITALIANO

汉字

漢字

VOUS AVEZ FAIT LE BON CHOIX!

Cet appareil a été développé et fabriqué en appliquant des exigences de qualité très élevées : il garantit des années de fonctionnement sans problème. Grâce à de nombreuses années d'expérience, LD Systems est un nom connu dans le domaine des produits audio haut de gamme. Veuillez lire attentivement ce Manuel Utilisateur : vous apprendrez rapidement à utiliser votre appareil LD Systems de façon optimale. Pour plus d'informations sur **LD Systems**, visitez notre site Web, WWW.LD-SYSTEMS.COM

MESURES PRÉVENTIVES

1. Veuillez lire attentivement ce manuel.
2. Rangez tous les documents d'information et d'instructions en lieu sûr.
3. Veuillez suivre toutes les instructions
4. Observez tous les messages d'avertissement N'enlevez pas de l'appareil les étiquettes de sécurité ou autres informations.
5. N'utilisez l'appareil que pour des applications et de la façon appropriées.
6. Utilisez exclusivement des pieds et des dispositifs de fixation stables et adaptés lorsque l'appareil est utilisé en installation fixe. Assurez-vous que les fixations murales ont été montées correctement, et qu'elles sont sécurisées. Vérifiez que l'appareil est installé en toute sécurité, et qu'il ne peut pas tomber.
7. Lors de l'installation, observez les réglementations de sécurité en vigueur dans votre pays.
8. N'installez et n'utilisez pas l'appareil à proximité de radiateurs, d'accumulateurs de chaleur, de fours ou de toute autre source de chaleur. Vérifiez que l'appareil est installé de façon à bénéficier en permanence d'un refroidissement efficace et qu'il ne peut pas chauffer de façon excessive.
9. Ne placez aucune source de flamme sur l'appareil – par exemple, une bougie allumée.
10. Ne bloquez pas les ouïes d'aération. Éviter toute exposition directe aux rayons du soleil !
11. N'utilisez pas l'appareil à proximité immédiate d'eau (à moins qu'il ne s'agisse d'un appareil conçu pour une utilisation en extérieur – dans ce cas, respectez les instructions correspondantes ci après) Ne mettez pas l'appareil en contact avec des matériaux, des liquides ou des gaz inflammables.
12. Vérifiez qu'aucune projection ou liquide ne puisse s'introduire dans l'appareil. Ne posez sur l'appareil aucun objet renfermant du liquide : vase, verre d'eau...
13. Vérifiez qu'aucun petit objet ne puisse tomber à l'intérieur de l'appareil.
14. N'utilisez avec cet appareil que des accessoires recommandés et approuvés par le fabricant.
15. N'ouvrez pas l'appareil, et n'essayez pas de le modifier.
16. Lors du branchement de l'appareil, sécurisez le passage du câble secteur, afin d'éviter tout dommage ou accident, par exemple quelqu'un qui trébuche sur le câble.
17. Lors du transport, vérifiez que l'appareil ne peut tomber, ce qui pourrait provoquer des dommages matériels et/ou corporels.
18. Si votre appareil ne fonctionne plus correctement, que de l'eau ou des objets ont pénétré à l'intérieur, ou qu'il a été endommagé de quelque façon que ce soit, éteignez-le immédiatement et débranchez sa prise secteur (s'il s'agit d'un appareil alimenté). Cet appareil ne doit être réparé que par un personnel autorisé.
19. Pour le nettoyage de l'appareil, utilisez un chiffon sec/
20. Observez toutes les réglementations en vigueur dans votre pays pour mettre l'appareil au rebut. Lorsque vous jetez l'emballage de l'appareil, veuillez séparer plastique, papier et carton.
21. Les films plastique doivent être mis hors de portée des enfants.

APPAREILS RELIÉS AU SECTEUR

22. ATTENTION : Si le câble de l'appareil est muni d'un fil de terre, il doit être relié à une prise murale avec terre. Ne désactivez jamais la mise à la terre d'un appareil.
23. N'allumez pas l'appareil immédiatement s'il a subi une grande différence de température ambiante (par exemple, lors du transport). L'humidité et la condensation pourraient l'endommager. Ne mettez l'appareil sous tension que lorsqu'il est parvenu à la température de la pièce.
24. Avant de relier l'appareil à la prise murale, vérifiez que la valeur et la fréquence de la tension secteur sur laquelle il est réglé correspondent bien à la valeur et à la fréquence de la tension secteur locale. Si l'appareil possède un sélecteur de tension, ne le branchez sur la prise murale qu'après avoir vérifié que la valeur réglée correspond à la valeur effective de la tension secteur. Si la fiche du cordon secteur ou du bloc adaptateur livré avec votre appareil ne correspond pas au format de votre prise murale, veuillez consulter un électricien.
25. Ne piétez pas le câble secteur. Assurez-vous que le câble secteur n'est pas trop pincé, notamment au niveau de l'arrière de l'appareil (ou de son adaptateur secteur) et de la prise murale.
26. Lors du branchement de l'appareil, vérifiez que l'accès au câble secteur ou au bloc adaptateur reste facile. Sortez la fiche secteur de la prise murale dès que vous n'utilisez pas l'appareil pendant un certain temps, ou si vous désirez nettoyer l'appareil. Pour ce faire, tirez toujours sur la fiche elle-même, ou sur le bloc secteur lui-même ; ne tirez jamais sur le câble. Ne manipulez jamais le câble secteur ou l'adaptateur secteur avec des mains mouillées.
27. N'éteignez/rallumez pas l'appareil rapidement plusieurs fois de suite : vous risquez de réduire la longévité de ses composants internes.
28. CONSEIL IMPORTANT : Ne remplacez le fusible que par un fusible de même type et du même calibre. Si le fusible fond de façon répétée, veuillez consulter un centre de réparations agréé.
29. Pour séparer complètement l'appareil du secteur, débranchez le cordon secteur ou l'adaptateur de la prise murale.
30. Si votre appareil est muni d'un connecteur secteur verrouillable (Volex), il faut d'abord déverrouiller le mécanisme avant d'enlever le cordon secteur. Attention, lorsque vous retirez le câble secteur, à ne pas faire bouger l'appareil, ce qui pourrait se traduire par un risque de chute, de blesser quelqu'un, ou tout autre dommage. Manipulez toujours le cordon secteur avec soin.
31. Débranchez la fiche secteur ou l'adaptateur de la prise murale en cas d'orage, ou si vous n'utilisez pas l'appareil pendant une longue période.

**ATTENTION**

Ne démontez jamais le couvercle de l'appareil, vous risquez de recevoir un choc électrique. L'appareil ne renferme aucune pièce ni composant remplaçable par l'utilisateur. Ne confiez sa réparation qu'à un personnel technique qualifié.



Le pictogramme en forme de triangle équilatéral renfermant un éclair signale à l'utilisateur la présence à l'intérieur de l'appareil d'une tension dangereuse non protégée, suffisamment élevée pour présenter un risque pour les personnes.



Le pictogramme en forme de triangle équilatéral renfermant un point d'exclamation signale à l'utilisateur la présence d'instructions importantes concernant l'utilisation ou l'entretien de l'appareil.

ATTENTION NIVEAUX SONORES ÉLEVÉS SUR LES PRODUITS AUDIO

Cet appareil a été conçu en vue d'une utilisation professionnelle. L'utilisation commerciale de cet appareil est soumise aux réglementations et directives en vigueur dans votre pays en matière de prévention d'accident. En tant que fabricant, Adam Hall est tenu de vous avertir formellement des risques relatifs à la santé. Risques provoqués par une exposition prolongée à des niveaux sonores élevés : Lors de l'utilisation de ce produit, il est possible d'atteindre des niveaux de pression sonore (exprimés en dB SPL) élevés, susceptibles de provoquer des dommages auditifs irréversibles chez les artistes, les techniciens et le public. Évitez toute exposition prolongée à des niveaux de pression sonore élevés (supérieurs à 90 dB SPL).



Pour éviter tout risque de traumatisme auditif, évitez d'écouter à fort volume sonore pendant de longues périodes. Un niveau d'écoute trop élevé, même bref, peut provoquer des dommages aux oreilles. Veuillez maintenir le niveau d'écoute à un niveau raisonnable.

REMARQUE : Cet appareil a été testé et déclaré conforme aux limites s'appliquant à un appareil numérique de Classe B, devant répondre aux critères de la Partie 15 des Réglementations américaines FCC. Ces limites sont conçues afin d'assurer une protection raisonnable contre les interférences nocives dans une installation résidentielle. Cet appareil génère, utilise et peut rayonner de l'énergie dans le domaine des fréquences radio ; s'il n'est pas installé et utilisé conformément aux instructions, il peut provoquer des interférences sérieuses avec les communications radio. Toutefois, il n'est pas garanti qu'aucune interférence ne se produira pour une installation particulière. Si cet appareil provoque des interférences sérieuses sur la réception radio ou télévision (pour le déterminer, il suffit de comparer ce qui se passe lorsqu'il est éteint et lorsqu'il est allumé), nous incitons l'utilisateur à réduire ces interférences en appliquant une ou plusieurs des mesures suivantes :

- Modifier l'orientation ou déplacer l'antenne de réception.
- Augmenter la distance séparant l'appareil du récepteur.
- Brancher l'appareil sur une prise secteur dépendant d'un circuit différent de celui auquel est branché le récepteur.
- Consulter, pour assistance, le revendeur ou un technicien radio/TV expérimenté.

INTRODUCTION

LD Systems MAUI 5 – un système de sonorisation colonne/caisson ultra-compact, avec mixeur et récepteur Bluetooth®

Le MAUI 5 est un système de sonorisation intégré, façade et retours, ultra-compact, ce pesant 11,3 kg. Le plus petit membre de la famille MAUI se monte en quelques secondes, grâce aux connecteurs multipoint développés spécifiquement et à sa composition en 4 parties. Il assure une couverture sonore étendue et évite tout risque de Larsen. Le MAUI 5 se transporte aisément et se pose facilement sur un siège de voiture. Le coffret bass reflex hébergeant le boomer de 8» (20 cm) accueille aussi les amplificateurs travaillant en Classe D du système, avec circuits de protection contre les surtensions, la surchauffe et les courts-circuits, ainsi que le DSP assurant le traitement de signal LECC, spécialité LD Systems, et un mixeur 4 canaux. Son récepteur Bluetooth® intégré assure le streaming audio (sans fil), et les différentes entrées disponibles (microphone, ligne, haute impédance) permettent de connecter les sources de signal les plus différentes au MAUI 5, du lecteur MP3 aux synthés ou aux guitares. Le système et le caisson de basses possèdent leur réglage de volume indépendant, sans oublier un correcteur Shelvel dans l'aigu, pour optimiser la restitution selon l'acoustique de la salle et assurer une sonorisation parfaitement adaptée.

CONSEILS GÉNÉRAUX

Avant utilisation, le caisson de basses du système de sonorisation MAUI 5 doit être posé à plat, avec ses pieds caoutchouc, sur une surface plane. Ne montez jamais le système sur un plateau à roulettes : il existe toujours un risque que le système se mette en mouvement de façon incontrôlée. Il peut s'ensuire des accidents et des dommages divers. Afin de garantir un refroidissement suffisant, il faut laisser, en exploitation, un espace minimal de 50 cm entre le panneau arrière du caisson de basses et autre surface, paroi, etc. Vérifiez vos branchements secteur et audio, sur le système comme sur les appareils qui lui sont connectés (table de mixage, lecteur de CD, etc.). N'utilisez que des câbles en bon état, d'un diamètre suffisant, et déroulez toujours complètement les câbles enroulés sur touret. Le cas échéant, n'hésitez pas à utiliser des passages de câbles pour éviter tout trébuchement dû à des câbles laissés libres. Ne placez jamais le système de sonorisation en bord de scène ou autre. N'installez jamais le caisson de basses sur une table. Pour éviter l'émission de bruits parasites lors de la mise sous tension/hors tension d'appareils audio connectés, allumez toujours le système de sonorisation en dernier et éteignez-le toujours en premier.

MONTAGE

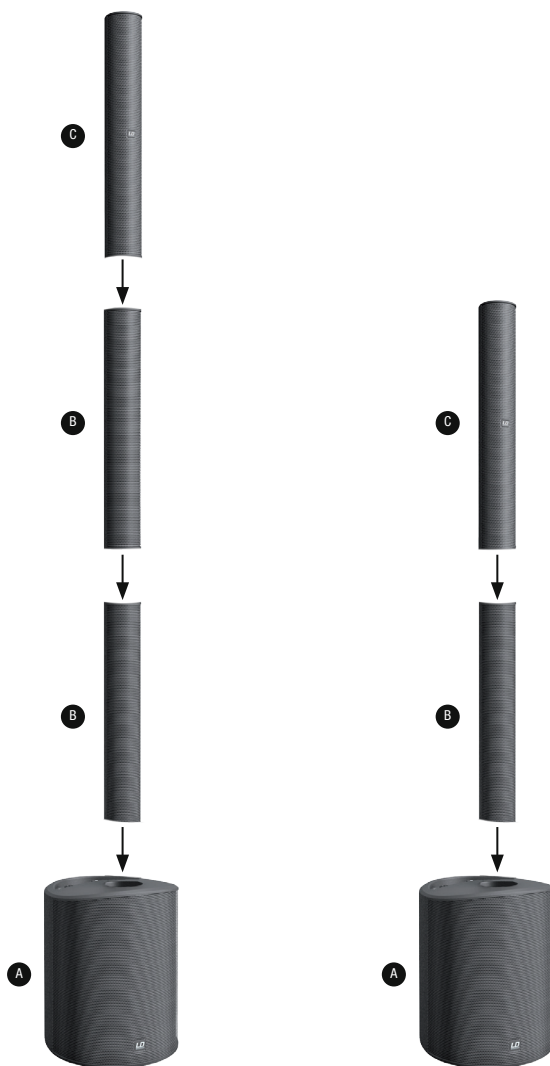
Le système de sonorisation LD Systems MAUI 5 se compose de quatre parties :

- A. Le caisson de basses, intégrant toute l'électronique nécessaire aux différentes parties composant le système.
- B. Deux pièces intermédiaires identiques, avec connecteurs en haut et en bas.
- C. La colonne, intégrant les haut-parleurs, avec le connecteur en bas.

Après avoir placé le caisson de basses à l'endroit désiré, mettez en place les pièces intermédiaires sur le caisson, puis la colonne avec les haut-parleurs. Selon les besoins, la colonne peut être utilisée avec une seule pièce intermédiaire sur le caisson de basses.

BRANCHEMENTS ET UTILISATION

Le MAUI 5 permet de régler séparément le volume sonore du système global et le volume relatif du caisson de basses par rapport au système complet. Le MAUI 5 est compatible avec les sources de signal audio disposant de connecteurs symétriques (XLR ou jack 6,35 mm TRS) et asymétriques (jack 6,35 mm ou RCA/cinch) Le mixeur 4 canaux intégré offre une entrée micro, une entrée instrument haute impédance pour, par exemple, une guitare électrique, et des entrées pour lecteurs stéréo au niveau ligne.



CONNECTEURS, CONTRÔLES ET INDICATEURS



1 MIC INPUT

Entrée micro symétrique (connecteur Combo, mixte XLR/jack 6,35 mm) Cette entrée est compatible avec un signal micro asymétrique (issu d'un microphone possédant un connecteur jack mono). Elle est équipée d'un filtre passe-haut à 100 Hz, permettant d'atténuer les parasites de fréquence grave PRÉCISION : Cette entrée microphone ne possède pas d'alimentation fantôme.

2 HI-Z INPUT

Entrée mono haute impédance sur jack 6,35 mm, pour guitare acoustique ou électrique. Vous pouvez utiliser simultanément les entrées Hi-Z et MP3 ; dans ce cas, il faut doser l'équilibre des niveaux directement sur l'instrument et le lecteur.

3 MP3 INPUT

Entrée stéréo au niveau ligne sur mini-jack 3,5 mm, pour lecteur MP3 ou autre source de signal stéréo. Ce signal stéréo est sommé en mono en interne. Vous pouvez utiliser simultanément les entrées Hi-Z et MP3 ; dans ce cas, il faut doser l'équilibre des niveaux directement sur l'instrument et le lecteur.

4 LINE

Potentiomètre de réglage de volume de l'entrée LINE INPUT (les connecteurs correspondants se trouvent sur le panneau arrière du caisson de basses). Tournez le potentiomètre vers la droite pour augmenter le volume sonore, vers la gauche pour le baisser.

5 MIC

Potentiomètre de réglage de volume de l'entrée micro. Tournez le potentiomètre vers la droite pour augmenter le volume sonore, vers la gauche pour le baisser.

6 MP3 / HI-Z

Potentiomètre de réglage de volume pour le canal MP3 / instrument HI-Z. Tournez le potentiomètre vers la droite pour augmenter le volume sonore, vers la gauche pour le baisser. Vous pouvez utiliser simultanément les entrées HI-Z et MP3 ; dans ce cas, il faut doser l'équilibre des niveaux directement sur l'instrument et le lecteur.

7 BLUETOOTH®

Potentiomètre de réglage de niveau du récepteur Bluetooth®. Tournez le potentiomètre vers la droite pour augmenter le volume sonore, vers la gauche pour le baisser.

8 HI-BOOST

Correcteur d'aigus pour optimisation de la restitution en fonction des caractéristiques acoustiques du local (tourné à fond à gauche = restitution neutre), tourné à droite = accentuation des aigus).

9 SUB LEVEL

Réglage du niveau sonore du caisson de basses par rapport à celui de la colonne.

10 MAIN LEVEL

Réglage du volume général. Le niveau du caisson de basses se règle indépendamment, via le potentiomètre SUB LEVEL.

11 INDICATEURS LED

ON : Cet indicateur s'allume lorsque l'appareil est correctement relié au secteur et sous tension.

SIGNAL : S'allume en présence d'un signal audio. Le niveau du signal se règle via le potentiomètre MAIN LEVEL.

LIMIT : S'allume dès que le système de sonorisation arrive à ses limites de fonctionnement. Pas de problème si la LED ne clignote que brièvement. Pour protéger le système de sonorisation, un limiteur intégré évite tout dépassement de niveau, même sur un signal d'entrée très élevé. Si la LED LIMIT s'allume souvent et longuement, voire en permanence, réduisez le niveau d'écoute. Vous risquez sinon de provoquer une distorsion excessive, susceptible d'endommager le système de sonorisation.

PROTECT : S'allume en cas de surcharge ou de surchauffe. Les modules amplificateurs sont alors automatiquement coupés. Lorsque les conditions d'utilisation normales sont rétablies, l'appareil revient à son mode de fonctionnement normal.

12 BLUETOOTH® LED

Le mixeur intégré au caisson de basses du système est muni d'un récepteur Bluetooth, ce qui signifie que le MAUI 5 peut diffuser les données audio stockées sur tout autre appareil Bluetooth couplé (par exemple, un smartphone). La distance maximale séparant les deux appareils doit être inférieure à 10 mètres. Si aucun appareil Bluetooth n'est couplé au récepteur intégré au caisson, la LED Bluetooth bleue est éteinte. En cours de procédure de couplage, la LED bleue clignote environ 3 fois par seconde. Une fois la liaison Bluetooth établie, la LED bleue reste allumée, et la diffusion du morceau peut commencer. Le réglage de niveau de restitution s'effectue via le potentiomètre Bluetooth® (n°7), ou directement sur l'appareil source.

13 HOLD TO LINK

Pour coupler le récepteur Bluetooth interne à un appareil Bluetooth et établir la liaison, maintenez enfoncée la touche HOLD TO LINK pendant environ 5 secondes, jusqu'à ce que la LED Bluetooth bleue se mette à clignoter (environ 3 fois par seconde). Activez alors la fonction Bluetooth sur le lecteur externe, et examinez, sur son interface utilisateur, les appareils disponibles. Choisissez l'entrée «LD MAUI5», puis coupez votre appareil Bluetooth avec le récepteur du MAUI5. Vous pouvez alors lancer la lecture du titre. Pour désactiver la liaison Bluetooth, maintenez enfoncée la touche HOLD TO LINK pendant environ 3 secondes. Lorsque la liaison Bluetooth est interrompue (par exemple, si la source Bluetooth sort de la portée de la liaison), la LED Bluetooth s'éteint. Pendant les 90 secondes suivantes, la liaison est susceptible de se rétablir automatiquement (par exemple, si la source Bluetooth revient dans le domaine de portée de la liaison). Au-delà de ces 90 secondes, le module récepteur Bluetooth du système MAUI5 est automatiquement désactivé.

14 LINE INPUT LEFT / RIGHT

Entrée symétrique gauche/droite au niveau ligne sur Combo (mixte XLR/jack 6,35 mm), pour connexion de la source de signal audio (par exemple, table de mixage externe, clavier électronique...). Si vous désirez connecter une source de signal mono, utilisez uniquement l'embase LEFT / MONO.

15 EMBASE SECTEUR AVEC PORTE-FUSIBLE

Embase au format IEC, avec porte-fusible intégré. Le câble secteur correspondant est livré. Le système de sonorisation LD Systems MAUI 5 est prévu pour deux valeurs de tension secteur (100-120 V et 200-240 V). La commutation s'effectue automatiquement. **CONSEIL IMPORTANT** : Remplacez exclusivement le fusible par un fusible neuf du même format et du même calibre (valeurs indiquées sur le panneau arrière de l'appareil). Vérifiez que le porte-fusible est bien enfoncé. Si le fusible fond de façon répétée, veuillez consulter un centre de réparations agréé.

16 POWER ON / OFF

Interrupteur On/Off pour la tension d'alimentation de l'appareil.

FONCTIONS DSP LD SYSTEMS LECC**QUE SIGNIFIE LE SIGLE «DSP LECC» CHEZ LD SYSTEMS ?**

DSP est l'abréviation de Digital Signal Processing (traitement numérique de signal) ; LECC est l'abréviation de Limiteur, Égaliseur, Compresseur et Crossover (filtre actif). Ce traitement numérique de signal garantit une restitution audio d'une qualité optimale, avec un maximum de clarté, et assure en parallèle la protection du système de sonorisation contre toute surcharge.

À QUOI SERT EXACTEMENT LE DSP LECC ?

La fonction Limiteur protège les haut-parleurs et évite toute surcharge ou dommage consécutif à une distorsion excessive. Des limiteurs séparés sont prévus pour les graves, les médiums et les aigus ; ils réduisent le niveau du signal dès que celui-ci dépasse un certain seuil au-delà duquel des dommages sont à craindre. Chaque limiteur est paramétré de façon optimale pour la bande de fréquences traitée (limiteur multibande). Le système de sonorisation peut ainsi être utilisé à des niveaux sonores moyens plus élevés, puisque les crêtes de signal dangereuses sont automatiquement atténuées sans devoir baisser globalement le volume d'écoute. L'égaliseur multibande travaille sur tout le spectre audio, et optimise le son global du système de sonorisation.

Le compresseur s'active automatiquement pour relever les graves, et obtenir ainsi un son avec davantage d'assise dans le bas, même à faible niveau sonore. À mesure que le niveau d'écoute augmente, l'accentuation des graves (Bass Boost) est automatiquement réduite. Les graves sont ainsi toujours reproduits à un niveau subjectif optimal.

Le crossover (également appelé filtre actif) découpe le signal audio en plusieurs bandes de fréquences pour les différents haut-parleurs : donc, dans le cas du MAUI5, le caisson de basses d'un côté, les transducteurs de la colonne de l'autre (médium/aigu). Les filtres actifs agissent sur l'amplitude et la phase des signaux afin d'assurer une restitution simultanée de toutes les fréquences, qui arrivent en même temps aux oreilles du public.

CARACTÉRISTIQUES TECHNIQUES

Référence :	LDMAUI5 (W)
Type :	Système de sonorisation ultra-compact de type colonne/caisson de basses avec mixeur intégré et Bluetooth
Caisson de Basses :	Bass Reflex, boomer 8" (20 cm)
Colonne (line array vertical) :	4 x transducteurs 3"
Amplification :	Classe D
Angle de Dispersion (H x V) :	120° x 20°
Puissance de Sortie (efficace/crête) :	2 x 100 W / 2 x 400 W
Réponse en Fréquence :	de 50 Hz à 20 kHz
Niveau Maximal de Pression Sonore (crête) :	120 dB SPL
Protections :	Limiteur multibance (via DSP), court-circuit, intensité excessive, surchauffe
Contrôles :	Main Level, Subwoofer Level, Hi Boost, Mic Level, MP3/Hi-Z Level, Line Level, Bluetooth® Level, couplage Bluetooth®, interrupteur ON/OFF
Indicateurs :	On, Signal, Limit, Protect, Bluetooth®
Connecteurs sur Caisson de Basses :	Entrée Ligne : Entrée symétrique au niveau ligne, sur connecteurs Combo (mixtes XLR/jack 6,35 mm), entrée Micro : Type Combo (mixte XLR / jack 6,35 mm symétrique), entrée MP3 : mini-jack 3,5 mm, entrée Hi-Z : jack 6,35 mm
Connecteur colonne :	Connecteur multipoint sur mesure
Matériau coffret :	ABS
Alimentation :	à découpage
Embase Secteur :	IEC
Tension d'alimentation :	AC 100-120V, 50/60Hz AC 200-240V, 50/60Hz
Consommation électrique (maximale) :	300 W
Température d'utilisation :	0°C ... 50°C
Taux d'hygrométrie :	10% - 70% rel. (sans condensation)
Dimensions (L x H x P) :	Caisson de Basses : 305 x 405 x 395 mm Colonne (3 pièces) : 82 x 535 x 105 mm
Masse :	11,3 kg
Points forts :	Traitement de signal DSP LD LECC (limiteur, égaliseur, compresseur, crossover), Hi Boost, filtre passe-haut 100 Hz sur l'entrée Micro, branchement facile grâce au connecteur multipoint intégré, module récepteur Bluetooth®
Accessoires disponibles :	Housse de transport pour colonnes systèmes (LDM5SATBAG), Housse de protection pour caisson de basses systèmes (LDM5SUBPC)

DECLARATIONS

GARANTIE FABRICANT & LIMITATION DE RESPONSABILITÉ

Nos conditions actuelles de garantie et de limitation de responsabilité sont disponibles à l'adresse suivante : <http://www.adamhall.com/media/shop/downloads/documents/manufacturersdeclarations.pdf>. Pour les réparations, veuillez contacter Adam Hall GmbH, Daimlerstraße 9, 61267 Neu Anspach / E-Mail Info@adamhall.com / +49 (0)6081 / 9419-0. Vous pouvez nous demander la déclaration de conformité actuelle à l'adresse info@adamhall.com.



TRI ET MISE AUX DÉCHETS CORRECTE DE CE PRODUIT

(Valid in the European Union and other European countries with waste separation)

■ (Applicable dans l'Union Européenne et les autres pays européens pratiquant le tri des déchets) La présence de ce symbole sur le produit ou sur la documentation correspondante indique qu'en fin de vie, le produit ne doit pas être jeté avec les déchets normaux, afin d'éviter tout dommage à l'environnement ou aux personnes consécutive à une élimination non contrôlée des déchets. Séparez-le des autres types de déchets et recyclez-le, afin de promouvoir la réutilisation durable des ressources naturelles. Nous conseillons aux utilisateurs non professionnels de contacter le revendeur chez qui ils ont acheté le produit, ou un représentant gouvernemental local, pour plus de détails sur le lieu de collecte et la façon de recycler cet appareil dans le meilleur respect de l'environnement possible.. Nous invitons les utilisateurs professionnels à contacter leur fournisseur et à vérifier les termes et conditions de leur contrat d'achat. Ce produit ne doit pas être mélangé à d'autres déchets commerciaux lors de la collecte.

IC déclaration:

Le présent appareil est conforme aux CNR d'Industrie Canada applicables aux appareils radioexempts de licence. L'exploitation est autorisée aux deux conditions suivantes :

- (1) l'appareil ne doit pas produire de brouillage, et
- (2) l'utilisateur de l'appareil doit accepter tout brouillage radioélectrique subi, même si le brouillage est susceptible d'en compromettre le fonctionnement.

Conformément à la réglementation d'Industrie Canada, le présent émetteur radio peut fonctionner avec une antenne d'un type et d'un gain maximal (ou inférieur) approuvé pour l'émetteur par Industrie Canada. Dans le but de réduire les risques de brouillage radioélectrique à l'intention des autres utilisateurs, il faut choisir le type d'antenne et son gain de sorte que la puissance isotrope rayonnée équivalente (p.i.r.e.) ne dépasse pas l'intensité nécessaire à l'établissement d'une communication satisfaisante.

Cet équipement doit être installé et utilisé à une distance minimale de 20 cm entre le radiateur et votre corps.

¡GRACIAS POR ELEGIR LD-SYSTEMS!

Este equipo está diseñado y fabricado con los estándares de calidad más exigentes, para garantizar un correcto funcionamiento durante muchos años. Los productos de LD-Systems se caracterizan por su gran calidad, avalada por el prestigio de la marca y una dilatada experiencia como fabricante. Lea atentamente este manual de usuario para poder aprovechar rápidamente toda la funcionalidad de su nuevo producto de LD Systems. Si desea obtener información sobre LD-SYSTEMS, visite nuestro sitio web WWW.LD-SYSTEMS.COM

MEDIDAS DE SEGURIDAD

1. Lea atentamente las instrucciones de este manual.
2. Guarde toda la información en un lugar seguro para futuras consultas.
3. Siga las instrucciones indicadas.
4. Siga todas las advertencias. No quite las instrucciones de seguridad ni cualquier otra información indicada en el equipo.
5. Utilice el equipo únicamente según la finalidad prevista.
6. Utilice solo soportes y fijaciones que sean robustos y adecuados cuando instale el equipo en instalaciones fijas. Asegúrese de que los soportes de pared están correctamente instalados y firmemente fijados. Asegúrese de que el equipo está sólidamente instalado y no se puede caer.
7. Al instalar el equipo, respete las normas de seguridad aplicables en su país.
8. Evite instalar el equipo cerca de radiadores, acumuladores de calor, estufas o cualquier otra fuente de calor. Asegúrese de que el equipo esté instalado en un lugar con ventilación suficiente para evitar cualquier sobrecalentamiento.
9. No coloque sobre el equipo fuentes de llamas sin protección, por ejemplo, velas encendidas.
10. Evite bloquear las rejillas de ventilación. ¡Evite la luz solar directa!
11. No utilice este equipo cerca del agua (excepto los equipos específicamente diseñados para uso en exterior, en cuyo caso tenga en cuenta las indicaciones mencionadas a continuación). No exponga este equipo a materiales, líquidos o gases inflamables.
12. Evite exponer el equipo a gotas o salpicaduras que puedan caer dentro del mismo. No coloque recipientes llenos de líquido, como floreros o vasos, sobre el equipo.
13. Asegúrese de no dejar caer ningún objeto dentro del equipo.
14. Emplee el equipo únicamente con los accesorios recomendados por el fabricante.
15. No abra el equipo ni intente modificarlo.
16. Una vez conectado el equipo, compruebe que en toda la longitud del cableado no hay peligro de que provoque una caída, por ejemplo.
17. Durante el transporte, asegúrese de que el equipo no se caiga y pueda causar daños personales o materiales.
18. Si el equipo no funciona correctamente, o si se ha vertido líquido sobre él, o si un objeto ha caído en su interior o si ha sufrido algún desperfecto, apague inmediatamente el equipo y desenchufe el cable eléctrico (si se trata de un equipo activo). Únicamente un técnico especialista debe reparar el equipo.
19. Para limpiar el equipo utilice un paño seco.
20. Procure seguir las normas vigentes en su país sobre reciclaje de desechos. Separe los componentes de plástico, papel y cartón del paquete para reciclarlos en sus contenedores respectivos.
21. No deje las bolsas de plástico al alcance de los niños.

PARA LOS EQUIPOS CON TOMA ELÉCTRICA

22. ADVERTENCIA: Si el cable eléctrico está provisto de un contacto de protección, debe conectarse a una toma eléctrica con conexión a tierra. No desactivar nunca esta conexión de protección a tierra del cable eléctrico.
23. Si el equipo ha estado expuesto a un cambio brusco de temperatura (por ejemplo, después del transporte), no lo encienda inmediatamente. La condensación o la humedad podrían dañar el equipo. Deje que el equipo alcance la temperatura ambiente antes de encenderlo.
24. Antes de conectar el cable eléctrico a la toma de corriente, compruebe si la tensión y la frecuencia del suministro eléctrico coinciden con las especificaciones de este equipo. Si el equipo dispone de un selector de tensión, antes de enchufarlo a la red eléctrica, asegúrese de que el valor seleccionado coincide con la tensión de suministro. Si el enchufe o el adaptador de corriente no encajan en la toma eléctrica, consulte a un electricista.
25. Asegúrese de que el cable eléctrico no está pinzado. Evite que el cable resulte pellizcado, sobre todo en los extremos de conexión al equipo y en la toma eléctrica.
26. Al conectar el equipo, asegúrese de que el cable eléctrico o el adaptador de corriente estén siempre accesibles. Desconecte el equipo de la toma de corriente cuando no esté en uso o antes de limpiarlo. Para ello, desconecte el cable eléctrico y el adaptador de corriente del conector del equipo en vez de desenchufar el cable de la toma eléctrica. No tocar el cable eléctrico ni el adaptador de corriente con las manos húmedas.
27. No encienda y apague el equipo en cortos intervalos de tiempo, ya que se reduce así la vida útil del sistema.
28. **NOTA IMPORTANTE:** Sustituya los fusibles únicamente por otros del mismo tipo y de las mismas características. Si el fusible se funde continuamente, póngase en contacto con un servicio técnico autorizado.
29. Para desconectar completamente el equipo de la tensión eléctrica, desenchufe el cable eléctrico o el adaptador de corriente de la toma eléctrica.
30. Si el equipo dispone de un enchufe eléctrico Volex, deberá desbloquearse el Volex del equipo para desenchufarlo. Esto implica que un tirón en el cable eléctrico puede desplazar el equipo y provocar daños personales o materiales. Por tanto, asegúrese de instalar los cables con sumo cuidado.
31. Si es probable que caiga un rayo por una tormenta eléctrica o si no va a emplear el equipo durante mucho tiempo, desenchufe el cable eléctrico y el adaptador de corriente.

**ADVERTENCIA**

Para evitar el riesgo de descarga eléctrica, no retire la tapa. El equipo no contiene piezas que el usuario pueda reparar o sustituir. Para cualquier tarea de mantenimiento o reparación, acuda a un técnico cualificado.



El símbolo de rayo dentro de un triángulo equilátero advierte al usuario de la presencia de tensiones peligrosas sin aislamiento dentro del equipo que pueden causar una descarga eléctrica y suponer un riesgo para la salud.



El símbolo de exclamación dentro de un triángulo equilátero advierte al usuario de la existencia de importantes instrucciones de uso y mantenimiento.

ADVERTENCIA ¡ALTO VOLUMEN!

Este equipo se destina a un uso profesional. Por consiguiente, si se aplica a un uso comercial, estará sujeto a las normas y reglamentos de la Asociación para la prevención de accidentes de su sector profesional. Como fabricante, Adam Hall tiene la obligación de informar formalmente a los usuarios de la existencia de posibles riesgos para la salud.

Daños auditivos por exposición prolongada a un nivel SPL alto: este equipo puede generar fácilmente un nivel de presión sonora (SPL) lo suficientemente elevado como para causar daños auditivos permanentes a los artistas, el personal de producción y el público. Deben tomarse precauciones para evitar la exposición prolongada a un SPL de más de 90 dB.



Para evitar posibles daños auditivos, evite la exposición a volúmenes altos durante un tiempo prolongado.

Un volumen alto, incluso durante un breve espacio de tiempo, puede provocar pérdida de audición. Mantenga siempre el volumen a un nivel que le resulte agradable.

NOTA: Este equipo se ha probado y se ha demostrado que cumple los límites establecidos para dispositivos digitales de clase B, de acuerdo con la Parte 15 de las normas de la FCC. Estos límites están diseñados para ofrecer una protección razonable frente a interferencias perjudiciales en entornos residenciales. Este equipo genera, utiliza y puede irradiar energía de radiofrecuencia y, si no se instala y utiliza conforme a las instrucciones, puede causar interferencias perjudiciales para las comunicaciones radioeléctricas. Sin embargo, no se garantiza que no se produzcan interferencias en una instalación concreta. Si este equipo causa interferencias perjudiciales en la recepción de radio o televisión, lo cual puede determinarse apagando y encendiendo el equipo, se recomienda al usuario que intente corregir la interferencia aplicando una o varias de las medidas siguientes:

- Vuelva a orientar o ubicar la antena receptora.
- Aumente la distancia de separación entre el equipo y el receptor.
- Enchufe el equipo a la toma eléctrica de un circuito diferente al del receptor.
- Consulte a su distribuidor o a un técnico experto en radio/televisión.

INTRODUCCIÓN

LD Systems MAUI 5: sistema ultracompacto de PA de columna con mezclador y Bluetooth®

El MAUI 5, con su peso de solo 11,3 kg, es un sistema ultracompacto de PA y monitorado todo en uno. Gracias a sus conectores multipin especiales y 4 componentes, el array más pequeño de la serie MAUI se monta en cuestión de segundos, ofreciendo además un amplio ángulo de cobertura y un excelente rechazo a la realimentación acústica. El MAUI 5 es fácil de transportar y cabe perfectamente en el asiento de un coche. El recinto bass reflex del subwoofer de 8" aloja también el amplificador de clase D del sistema y dispone de circuitos de protección contra sobreintensidad, sobrecalentamiento y cortocircuito, un procesador digital de señales LECC de LD Systems y un mezclador de 4 canales.

Al contar con la tecnología Bluetooth® para la transmisión inalámbrica y con entradas de micrófono, línea y alta impedancia que se pueden utilizar simultáneamente, es posible conectar todo tipo de fuentes de señal al MAUI 5, por ejemplo, equipos reproductores e instrumentos como teclados o guitarras. Los controles de volumen separados para las entradas, el subwoofer y el sistema, así como un filtro high shelf para ajustar las frecuencias altas a la acústica de la sala, permiten obtener unos resultados perfectos.

INDICACIONES GENERALES

Antes de ponerlo en funcionamiento, el subwoofer del sistema de PA MAUI 5 de LD Systems debe colocarse sobre una superficie plana, apoyado verticalmente sobre sus pies. No haga funcionar el sistema sobre una plataforma de transporte, debido al riesgo de que todo el sistema se mueva sin control, ocasionando accidentes y desperfectos. Para garantizar una refrigeración adecuada durante el funcionamiento, debe mantenerse una distancia mínima de 50 cm entre el panel posterior del subwoofer y otros objetos, como paredes.

Asegúrese de que el sistema y todos los equipos conectados, como mesas de mezclas o reproductores de CD, están correctamente conectados y enchufados a la red eléctrica. Utilice únicamente cables sin defectos y de sección adecuada; además, los rollos de cable deberán estar completamente desenrollados. Si es necesario, utilice pasacables para no tropezar con los cables tendidos por el suelo. No instale el equipo cerca de un desnivel. No coloque el subwoofer sobre una mesa. Para evitar chasquidos no deseados al encender los equipos conectados, encienda el sistema siempre el último y apáguelo el primero.

MONTAJE

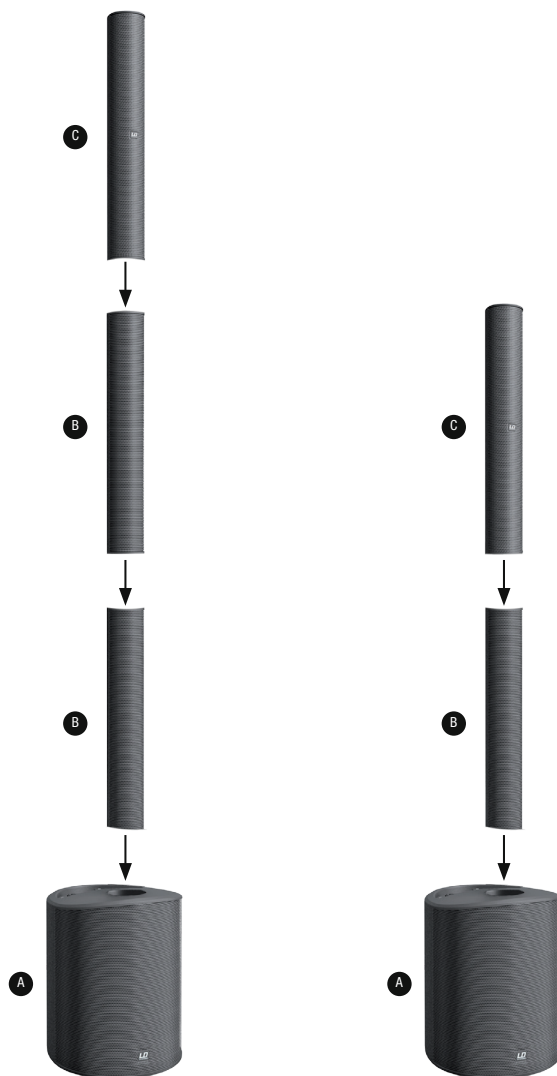
El sistema de PA MAUI 5 de LD Systems consta de cuatro componentes:

- A. Un subwoofer con la electrónica necesaria para todos los componentes.
- B. Dos mástiles similares con conectores en la parte inferior y superior.
- C. Un array de columna equipado con altavoces y un conector en la parte inferior.

Una vez colocado el subwoofer en su emplazamiento, acople los mástiles al subwoofer y luego coloque encima la columna de altavoces. Dependiendo de la aplicación, la columna de altavoces se puede colocar utilizando solo uno de los mástiles montado sobre el subwoofer.

CONEXIÓN Y OPERACIÓN

En el equipo se puede ajustar el volumen general del sistema y el volumen de subgraves relativo al volumen general. Los equipos reproductores pueden conectarse mediante cables balanceados o no balanceados (XLR, jack de 6,3 mm, minijack). El mezclador de 4 canales integrado dispone de una entrada de micrófono, una entrada de instrumento de alta impedancia para una guitarra eléctrica, por ejemplo, una entrada con nivel de línea para equipos reproductores y un módulo Bluetooth.



CONEXIONES, CONTROLES E INDICADORES



1 MIC INPUT

Entrada de micrófono balanceada (combo XLR/jack de 6,3 mm). Se puede utilizar un cable de micro no balanceado (jack mono). La entrada de micro integra un filtro de corte de bajos de 100 Hz para eliminar las señales de baja frecuencia no deseadas. NOTA: la entrada de micrófono carece de alimentación fantasma.

2 HI-Z INPUT

Entrada mono por jack de 6,3 mm para conectar una guitarra eléctrica o acústica. Pueden usarse ambas entradas, MP3 y HI-Z, de forma simultánea; ajuste el nivel en el instrumento o en el equipo reproductor.

3 MP3 INPUT

Entrada de línea estéreo por minijack de 3,5 mm para conectar un reproductor MP3 o de otro tipo. Internamente, una señal estéreo se pasa a mono. Pueden usarse ambas entradas, MP3 y HI-Z, de forma simultánea; ajuste el nivel en el instrumento o en el equipo reproductor.

4 LINE

Control de nivel del canal de línea (entradas de línea del panel posterior del subwoofer). Gire a la izquierda para disminuir el nivel, o a la derecha para aumentarlo.

5 MIC

Control de nivel del canal de micrófono. Gire a la izquierda para disminuir el nivel, o a la derecha para aumentarlo.

6 MP3 / HI-Z

Control de nivel del canal MP3 o de instrumento. Gire a la izquierda para disminuir el nivel, o a la derecha para aumentarlo. Pueden usarse ambas entradas, MP3 y HI-Z, de forma simultánea; ajuste el nivel en el instrumento o en el equipo reproductor.

7 BLUETOOTH®

Control de nivel del módulo Bluetooth®. Gire a la izquierda para disminuir el nivel, o a la derecha para aumentarlo.

8 HI-BOOST

Filtro high shelf para ajustar las frecuencias altas a la acústica de la sala (girado completamente a la izquierda = sonido neutro, girado completamente a la derecha = realce de agudos).

9 SUB LEVEL

Permite ajustar el volumen del subwoofer respecto al de los altavoces de la columna.

10 MAIN LEVEL

Ajuste del volumen general. El volumen del subwoofer se ajusta con el control SUB LEVEL.

11 INDICADORES LED

ON: Se ilumina si el equipo está encendido y correctamente enchufado a la red eléctrica.

SIGNAL: Se ilumina cuando el equipo tiene señal de audio. La señal se toma antes del control de MAIN LEVEL.

LIMIT: Se ilumina cuando el sistema de altavoces se lleva por encima del límite. No es crítico si se ilumina brevemente. Para proteger el sistema, el limitador integrado reducirá suavemente los niveles excesivos de señal. Si el LED Limit se iluminara durante más tiempo o de forma fija, disminuya el volumen. De lo contrario, el sonido será distorsionado y podrán producirse daños en los altavoces.

PROTECT: Se ilumina cuando hay una sobrecarga o un sobrecalentamiento en el sistema. Los amplificadores se silenciarán automáticamente. Cuando las condiciones de funcionamiento vuelvan a sus valores normales, el equipo volverá a funcionar normalmente al cabo de unos pocos minutos.

12 BLUETOOTH® LED

El mezclador del sistema de array LD MAUI 5 está equipado con Bluetooth, por lo tanto, los archivos de audio de otros dispositivos Bluetooth (como de un teléfono móvil) se pueden reproducir en el altavoz del LD MAUI 5 (a una distancia máxima de 10 metros entre los dispositivos). Si no hay ningún dispositivo Bluetooth conectado al módulo Bluetooth interno, el LED azul de Bluetooth estará apagado; durante el emparejamiento, el LED parpadeará rítmicamente a 3 Hz aproximadamente; y si el LED de Bluetooth está encendido, significa que hay conexión Bluetooth y ya se puede iniciar la reproducción de una canción. El volumen se ajusta con el control de nivel del módulo Bluetooth® (7) o del equipo de reproducción.

13 HOLD TO LINK

Para emparejar el módulo Bluetooth interno con un dispositivo Bluetooth y conectarlos entre sí, mantenga pulsado el botón HOLD to LINK durante unos 5 segundos hasta que el LED de Bluetooth empiece a parpadear rítmicamente (3 Hz aprox.), active Bluetooth en su dispositivo Bluetooth y busque los dispositivos disponibles en la interfaz de usuario. Seleccione la opción «LD MAUI5» para emparejar su dispositivo Bluetooth con el módulo Bluetooth. Ahora puede reproducirse la canción. Para desconectarlos, mantenga pulsado el botón HOLD to LINK durante otros 3 segundos. Si la conexión Bluetooth se interrumpe (por ejemplo, si está fuera de cobertura), el LED de Bluetooth se apagará. Si el dispositivo Bluetooth vuelve a estar dentro del área de cobertura antes de que transcurran 90 segundos, la conexión se restablecerá de forma automática. Si se superan estos 90 segundos, el módulo Bluetooth del LD MAUI 5 se desactivará automáticamente.

14 LINE INPUT LEFT / RIGHT

Entrada de línea balanceada por conector combo XLR/jack de 6,3 mm (izquierda y derecha) para la conexión de equipos, como mesas de mezclas o teclados. Si se conecta una fuente de señal mono, utilice la entrada de línea LEFT/MONO.

15 TOMA ELÉCTRICA Y PORTAFUSIBLES

Toma IEC con portafusibles integrado. Se suministra con el cable eléctrico apropiado. El sistema de PA MAUI 5 de LD Systems está diseñado para funcionar a dos intervalos de tensión (100 a 120 VAC y 200 a 240 VAC). El cambio se realiza automáticamente. **NOTA IMPORTANTE:** Sustituya el fusible únicamente por otro del mismo tipo y características. (serigrafadas en el equipo). Si el fusible se fundiera continuamente, póngase en contacto con un servicio técnico autorizado.

16 POWER ON / OFF

Interruptor de encendido/apagado del equipo.

PROCESADOR LECC DSP DE LD SYSTEMS**¿QUÉ ES EL PROCESADOR LECC DSP DE LD SYSTEMS?**

DSP es la sigla en inglés de «Digital Signal Processing», o procesado digital de señales, mientras que LECC corresponde a Limitador, Ecuador, Compresor y Crossover. El procesado digital de señales consigue una perfecta reproducción del sonido con la máxima definición y protege al sistema de PA contra las sobrecargas.

EN CONCRETO, ¿QUÉ HACE EL LECC DSP?

El limitador protege los altavoces y evita la distorsión por sobrecarga. Las frecuencias bajas, medias y altas son controladas por limitadores independientes, que actúan sobre la señal para que no sobrepase un determinado umbral, ya que podría tener consecuencias negativas. Cada limitador se ha optimizado para una banda concreta de frecuencias y para trabajar de forma integrada con las bandas de frecuencia adyacentes (limitador multibanda). Con ello se consigue un mayor SPL, ya que los picos de señal demasiado grandes quedan limitados automáticamente sin tener que reducir el volumen general del sistema. El ecualizador multibanda procesa todas las bandas de frecuencias. Se utiliza para ajustar de forma óptima el sonido del sistema.

El compresor controla la dinámica de la señal y realza los graves cuando el volumen es bajo para obtener un sonido más potente, mientras que si el volumen aumenta el realce se reducirá proporcionalmente. El resultado es una respuesta de graves siempre controlada y perfectamente equilibrada.

El crossover controla la separación de las bandas de frecuencia de cada altavoz del sistema, es decir, el subwoofer y los altavoces de medios y agudos del array de columna. Está optimizado en amplitud y tiempo, por lo que todas las frecuencias llegan al oyente de forma simultánea.

CARACTERÍSTICAS TÉCNICAS

Modelo	LDM5UI5 (W)
Tipo:	Sistema de PA de columna ultracompacto con mezclador y Bluetooth
Subwoofer:	1 x 8" bass reflex
Sistema de array vertical:	4 x 3"
Amplificación:	Clase D
Dispersión (H x V):	120° x 20°
Potencia de salida (RMS/pico):	2 x 100 W / 2 x 400 W
Respuesta en frecuencia:	50 Hz a 20 kHz
Máx. SPL (pico):	120 dB
Protección:	Limitador multibanda, cortocircuito, sobreintensidad, sobrecalentamiento, basados en DSP
Controles:	Main Level, Sub Level, Hi Boost, control de nivel Mic, control de nivel MP3/Hi-Z, control de nivel Line, control de nivel de Bluetooth®, botón de Bluetooth®, interruptor ON/OFF
Indicadores:	On, Signal, Limit, Protect, Bluetooth®
Conectores del subwoofer:	Entradas LINE INPUT: 2 combo XLR/jack de 6,3 mm; entrada MIC: combo XLR/jack de 6,3 mm; entrada MP3: minijack de 3,5 mm; entrada HI-Z: jack de 6,3 mm
Conectores de la columna:	Conectores multipin especialmente desarrollados
Material de la caja:	ABS
Alimentación eléctrica:	Fuente de alimentación conmutada
Conector eléctrico:	IEC
Tensión eléctrica:	100-120 VAC, 50/60 Hz 200-240 VAC, 50/60 Hz
Consumo de potencia (máx.):	300 W
Rango de temperatura:	0 a 50 °C
Rango de humedad:	10% a 70% relativa (sin condensación)
Dimensiones (An x Al x F):	Subwoofer: 305 x 405 x 395 mm Columna (3x): 82 x 535 x 105 mm
Peso:	11,3 kg
Características:	Procesador de señales LD LECC DSP (limitador, ecualizador, compresor y crossover), filtro Hi Boost, filtro de corte de bajos de 100 Hz en la entrada de micro, fácil montaje con los conectores multipin, Bluetooth®
Accesorios disponibles:	Funda de transporte para los altavoces de columna (LDM5SATBAG), Funda protectora para los subwoofers (LDM5SUBPC)


DECLARACIÓN DEL FABRICANTE

GARANTÍA DEL FABRICANTE Y LIMITACIÓN DE RESPONSABILIDAD

Consulte nuestras condiciones de garantía y limitaciones de responsabilidad en: <http://www.adamhall.com/media/shop/downloads/documents/manufacturersdeclarations.pdf>. En caso de necesitar servicio técnico, póngase en contacto con Adam Hall GmbH, Daimlerstraße 9, 61267 Neu Anspach (Alemania); correo electrónico info@adamhall.com; +49 (0)6081 / 9419-0. Puede solicitar la declaración de conformidad enviando un mensaje a info@adamhall.com.



ELIMINACIÓN CORRECTA DE ESTE PRODUCTO

(Aplicable en la Unión Europea y en los países europeos que dispongan de un sistema de recogida selectiva) El símbolo que aparece  sobre el producto o en la documentación adjunta indica que al final de la vida útil del equipo, no deberá desecharlo con los demás residuos domésticos, con el fin de evitar posibles efectos negativos en el medio ambiente y en la salud humana debidos al vertido incontrolado de desechos. La recogida selectiva ayuda a su posterior reciclaje y fomenta la reutilización sostenible de los componentes de este equipo. Si es un particular, póngase en contacto con el distribuidor donde adquirió este producto, o con el ayuntamiento, para informarse sobre el reciclaje adecuado de este equipo. Si es una empresa, póngase en contacto con su proveedor para informarse sobre los términos y condiciones de su contrato de compra-venta. Este producto no debe mezclarse con otros residuos industriales.

ENGLISH

DEUTSCH

FRANCAIS

ESPAÑOL

POLSKI

ITALIANO

汉字

漢字

Gratulujemy wyboru!

To urządzenie zostało zaprojektowane i wyprodukowane przy zastosowaniu najwyższych kryteriów jakościowych w celu zapewnienia wioletoletniej bezawaryjnej eksploatacji. Firma LD Systems gwarantuje to swoją marką i wioletoletnim doświadczeniem w wytwarzaniu wysokiej jakości produktów audio. Proszę starannie przeczytać niniejszą instrukcję obsługi, aby móc jak najszybciej zacząć użytkować ten produkt marki LD Systems. Dalsze informacje na temat firmy **LD SYSTEMS** dostępne są na naszej stronie internetowej WWW.LD-SYSTEMS.COM

ŚRODKI OSTROŻNOŚCI

1. Należy dokładnie przeczytać niniejszą instrukcję.
2. Wszystkie informacje i instrukcje przechowywać w bezpiecznym miejscu.
3. Należy przestrzegać zaleceń.
4. Należy przestrzegać wszystkich wskazań ostrzegawczych. Nie wolno usuwać wskazań bezpieczeństwa ani innych informacji znajdujących się na urządzeniu.
5. Używać urządzenia wyłącznie w sposób zgodny z jego przeznaczeniem.
6. Stosować wyłącznie stabilne i pasujące statywy, ew. elementy mocujące (w przypadku instalacji stałych). Należy zadbać o prawidłową instalację uchwytów ściennych i ich odpowiednie zabezpieczenie. Zapewnić bezpieczną instalację urządzenia i upewnić się, że urządzenie nie spadnie.
7. Podczas instalacji przestrzegać obowiązujących w danym kraju przepisów bezpieczeństwa.
8. Urządzenie instalować i eksploatować z dala od grzejników, zasobników ciepła, pieców i innych źródeł ciepła. Zadbać o zainstalowanie urządzenia w taki sposób, aby zawsze było ono wystarczająco chłodzone i nie mogło ulec przegrzaniu.
9. Nie umieszczać na urządzeniu źródeł zapłonu, takich jak np. palące się świece.
10. Nie wolno blokować szczelin wentylacyjnych. Unikać bezpośredniego działania promieni słonecznych!
11. Nie używać urządzenia w bezpośrednim sąsiedztwie wody (nie dotyczy specjalnych urządzeń do stosowania na zewnątrz – w takim przypadku należy przestrzegać podanych poniżej wskazań specjalnych). Urządzenie nie może mieć kontaktu z palnymi materiałami, płynami ani gazami.
12. Zabezpieczyć urządzenie przed wniknięciem kapiącej lub przyskającej wody. Nie wolno stawiać na urządzeniu pojemników napełnionych płynami, takich jak wazon czy naczynia z pićm.
13. Należy zadbać o to, aby do urządzenia nie wpadały żadne przedmioty.
14. Urządzenie można eksploatować tylko przy użyciu akcesoriów zalecanych i przewidzianych przez producenta.
15. Nie otwierać urządzenia ani nie dokonywać w nim zmian.
16. Po podłączeniu urządzenia sprawdzić wszystkie ciągi kablowe, aby zapobiec szkodom lub wypadkom np. w wyniku potknięcia.
17. Podczas transportu zadbać o to, aby urządzenie nie upadło, gdyż może to spowodować uszkodzenie mienia i obrażenia ciała.
18. Jeśli urządzenie nie działa prawidłowo, do jego wnętrza dostały się płyny lub przedmioty lub jeśli urządzenie zostało uszkodzone w inny sposób, należy je natychmiast wyłączyć i odłączyć od gniazda sieciowego (jeśli urządzenie jest aktywne). Naprawę takiego urządzenia może wykonać tylko autoryzowany personel specjalistyczny.
19. Do czyszczenia urządzenia stosować suchą ściereczkę.
20. Przestrzegać obowiązujących w danym kraju przepisów dotyczących usuwania odpadów. Podczas utylizacji opakowania oddzielić tworzywo sztuczne od papieru i tektury.
21. Worki z tworzywa sztucznego należy przechowywać w miejscu niedostępnym dla dzieci.

DOTYCZY URZĄDZEŃ Z ZASILANIEM SIECIOWYM

22. UWAGA: jeśli kabel sieciowy urządzenia jest wyposażony w zestyk ochronny, należy go podłączyć do gniazda z przewodem uziemiającym. Nigdy nie wolno dezaktywować przewodu uziemiającego kabla sieciowego.
23. Nie włączać urządzenia bezpośrednio po narażeniu go na silne wahanie temperatury (np. po transporcie). Wilgoć i skropliny mogą uszkodzić urządzenie. Włączyć urządzenie dopiero wtedy, gdy osiągnie temperaturę pokojową.
24. Przed podłączeniem urządzenia do gniazda elektrycznego należy sprawdzić, czy napięcie i częstotliwość sieci elektrycznej odpowiada wartościom podanym na urządzeniu. Jeśli urządzenie jest wyposażone w przełącznik napięcia, należy podłączyć je do gniazda tylko wówczas, gdy wartości urządzenia odpowiadają wartościom sieci elektrycznej. Jeśli dołączony kabel sieciowy lub dołączony adapter sieciowy nie pasuje do gniazda elektrycznego, należy skontaktować się z elektrykiem.
25. Nie stawiać na kablu sieciowym. Należy zadbać o to, aby kable przewodzące napięcie nie były zagięte przy gnieździe sieciowym, przy adapterze sieciowym ani przy gnieździe urządzenia.
26. Przy podłączeniu urządzenia zawsze należy zadbać o to, aby kabel sieciowy lub adapter sieciowy był zawsze łatwo dostępny. Odłączyć urządzenie od źródła zasilania, gdy nie jest ono używane lub gdy ma zostać poddane czyszczeniu. Zawsze należy wyjmować kabel sieciowy i adapter sieciowy z gniazda, chwytając za wtyczkę lub adapter, a nie za kabel. Nigdy nie dotykać kabla sieciowego i adaptera sieciowego mokrymi dłońmi.
27. W miarę możliwości nie włączać i wyłączać urządzenia w krótkich odstępach czasu, gdyż może to mieć negatywny wpływ na jego żywotność.
28. WAŻNA INFORMACJA: bezpieczniki należy wymieniać wyłącznie na bezpieczniki tego samego typu i o takich samych wartościach. Jeśli bezpiecznik stale się przepala, należy skontaktować się z autoryzowanym centrum serwisowym.
29. Aby całkowicie odłączyć urządzenie od sieci, należy wyjąć kabel sieciowy lub adapter sieciowy z gniazda.
30. Jeśli urządzenie jest wyposażone w przyłącze sieciowe Volex, konieczne jest odblokowanie odpowiedniej wtyczki urządzenia Volex, zanim będzie możliwe jej odłączenie. Oznacza to także, iż w wyniku podciągnięcia kabla urządzenie może się przesuwać i spaść, co może spowodować obrażenia ciała i/lub inne szkody, dlatego ważne jest, aby przewody były odpowiednio poprowadzone.
31. W przypadku zagrożenia uderzeniem pioruna lub jeśli urządzenie przez dłuższy czas nie jest używane, należy wyjąć kabel sieciowy i adapter sieciowy z gniazda.

**UWAGA**

Nigdy nie wolno zdejmować pokrywy, gdyż grozi to porażeniem prądem. We wnętrzu urządzenia nie ma żadnych części, które mogłyby zostać naprawione bądź poddane czynnościom konserwacyjnym przez użytkownika. Naprawy może przeprowadzać wyłącznie wykwalifikowany personel serwisowy.



Trójkąt równoramienny z symbolem błyskawicy oznacza niezabezpieczone, „niebezpieczne” napięcie w urządzeniu, które może spowodować niebezpieczne dla zdrowia porażenie prądem.



Trójkąt równoramienny z wykrzyknikiem oznacza ważne wskazówki dotyczące obsługi i wskazówki ostrzegawcze.

UWAGA NA WYSOKI POZIOM GŁOŚNOŚCI PRODUKTÓW AUDIO!

To urządzenie przewidziane jest do profesjonalnych zastosowań. Komercyjne stosowanie tego urządzenia podlega obowiązującym w danym kraju przepisom i wytycznym dotyczącym zapobiegania wypadkom. Firma Adam Hall jest jako producent zobowiązana do wyraźnego informowania o potencjalnym zagrożeniu dla zdrowia. Utrata słuchu w wyniku wysokiego poziomu głośności i długotrwałego narażenia: podczas stosowania tego produktu może powstać wysoki poziom ciśnienia akustycznego (SPL), który może doprowadzić do nieodwracalnego uszkodzenia słuchu u artystów, pracowników i widzów. Należy unikać długotrwałego narażenia na wysoki poziom głośności powyżej 90 dB.



Abey zapobiec ewentualnemu uszkodzeniu słuchu, unikać słuchania przy dużym poziomie głośności przez dłuższy czas. Głośny dźwięk może prowadzić do uszkodzenia słuchu nawet przy krótkim okresie oddziaływania. Głośność należy zawsze utrzymywać na przyjemnym dla ucha poziomie.

UWAGA: niniejsze urządzenie zostało przetestowane i stwierdzono jego zgodność z ograniczeniami dotyczącymi urządzeń cyfrowych Klasy B, zgodnie z treścią zawartą w części 15 przepisów FCC. Ograniczenia te wprowadzono dla zapewnienia właściwej ochrony przed szkodliwymi zakłóceniami w przypadku użytkowania w pomieszczeniach mieszkalnych. Niniejsze urządzenie wytwarza, wykorzystuje i może emitować energię o częstotliwościach radiowych i jeśli nie zostało zainstalowane oraz nie jest używane zgodnie z instrukcją, może powodować szkodliwe zakłócenia komunikacji radiowej. Nie ma żadnej gwarancji, że zakłócenia te nie wystąpią w przypadku użytkowania w danym miejscu. Jeśli niniejsze urządzenie wytwarza szkodliwe zakłócenia w odbiorze radiowym i telewizyjnym, co można stwierdzić wyłączając i włączając je ponownie, wówczas zaleca się usunięcie zakłóceń poprzez podjęcie jednego lub więcej z poniższych kroków zaradczych:

- zmienić ukierunkowanie lub przenieść antenę odbiorczą w inne miejsce,
- zwiększyć odległość pomiędzy urządzeniem a odbiornikiem,
- podłączyć urządzenie do gniazdka sieciowego znajdującego się w innym obwodzie elektrycznym niż podłączony odbiornik,
- skontaktować się ze sprzedawcą urządzenia lub doświadczonym technikiem radio-telewizyjnym w celu uzyskania pomocy.

WPROWADZENIE

LD Systems MAUI 5 – wyjątkowo kompaktowy kolumnowy system PA ze zintegrowanym mikserem i złączem Bluetooth®

Ważące zaledwie 11,3 kg urządzenie MAUI 5 to wyjątkowo kompaktowy system PA i monitor w jednym. Dzięki specjalnie stworzonemu systemowi połączeń wielostykowych i zaledwie 4 elementom składanie tego najmniejszego urządzenia z rodziny MAUI zajmuje zaledwie kilka sekund. System charakteryzuje się szerokim kątem emisji dźwięku i wysoką odpornością na sprzężenie zwrotne. Urządzenie MAUI 5 jest wygodne w transporcie i zmieści się na fotelu w samochodzie osobowym. Obudowa bass-reflex 8-calowej podstawy subwoofera mieści w sobie wzmacniacz klasy D z wyłącznikami ochronnymi zabezpieczającymi przed prądem przeciążeniowym, przegrzaniem i zwarcie, układ cyfrowego przetwarzania sygnału LECC w technologii LD Systems oraz 4-kanalowy mikser. Dzięki zintegrowanemu złączu Bluetooth® zapewniającemu bezprzewodową transmisję danych oraz wejściom: mikrofonowym, liniowym i wysokoimpedancyjnym o możliwości podłączenia w systemie równoległym do urządzenia MAUI 5 można podłączyć różne źródła sygnału, np. odtwarzacze lub instrumenty, takie jak keyboard czy gitara. Oddzielne regulatory poziomu i głośności dla subwoofera i systemu oraz filtr high-shelf służą do dopasowania częstotliwości dźwięku do akustyki pomieszczenia, umożliwiając idealnie zestrojone brzmienie.

WSKAZÓWKI OGÓLNE

Przed włączeniem subwoofera systemu PA LD Systems MAUI5 należy ustawić go pionowo na równej powierzchni, na nóżkach. Nigdy nie wolno uruchamiać systemu umieszczonego na wózku na kółkach, ponieważ zachodzi ryzyko niekontrolowanego przesunięcia się całego systemu. Może to skutkować wypadkami lub uszkodzeniami. Aby zapewnić odpowiednie chłodzenie, należy w trakcie pracy urządzenia zachować odstęp minimalny wynoszący 50 cm między tylną stroną subwoofera a innymi obiektami, jak np. ściany itp.

Należy zwrócić uwagę na prawidłowe podłączenie złączy audio i zasilania w systemie i w podłączonych urządzeniach, takich jak pulpity mikerskie, odtwarzacze CD itp. Należy stosować wyłącznie nieuszkodzone kable o odpowiedniej średnicy i zawsze całkowicie rozwijać bębny kablów. W razie potrzeby należy stosować mosty kablów, aby zapobiec ryzyku potknięcia się o luźne kable. Nie wolno ustawiać urządzenia bezpośrednio na krawędzi. Nie ustawiać subwoofera na stole. Aby uniknąć niepożądanych zakłóceń przy włączaniu podłączonych urządzeń, zawsze należy włączyć system jako ostatnie i wyłączyć jako pierwsze urządzenie.

MONTAŻ

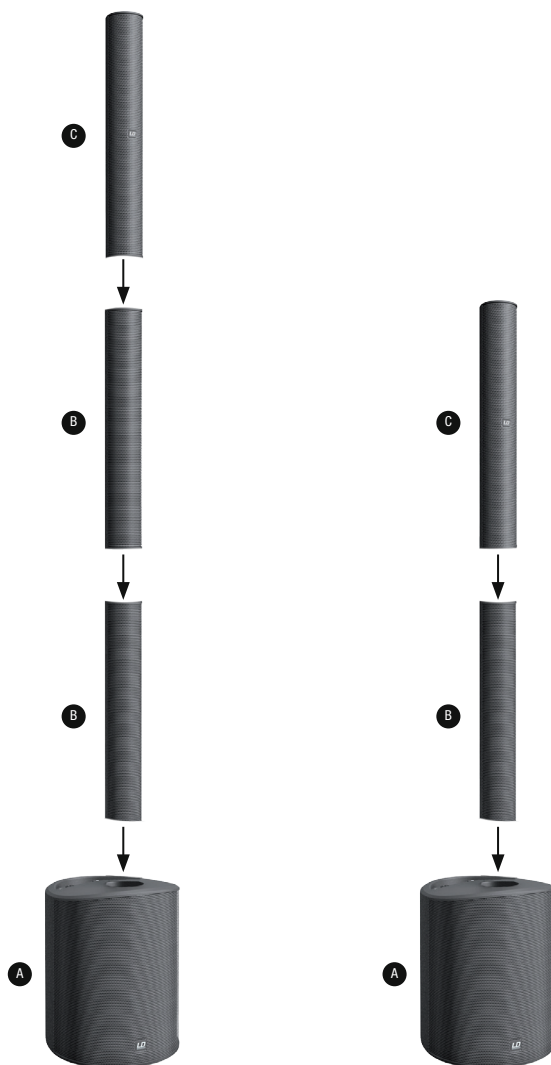
System PA LD Systems MAUI5 składa się z czterech elementów:

- A. subwoofera ze zintegrowanym układem elektronicznym obsługującym wszystkie elementy systemu,
- B. dwóch identycznych podkładek dystansowych ze złączami na dole i na górze,
- C. elementu kolumnowego z głośnikami i przyłączem na dole.

Po ustawieniu subwoofera w wybranym miejscu należy umieścić podkładki dystansowe na subwooferze, a następnie element kolumnowy z głośnikami. W zależności od zastosowania element kolumnowy z głośnikami można umieścić na subwooferze przy użyciu tylko jednej podkładki dystansowej.

PODŁĄCZENIE I EKSPLOATACJA

W urządzeniu można regulować zarówno głośność całego systemu, jak i głośność subwoofera w stosunku do głośności ogólnej. Dodatkowe urządzenia można podłączyć za pomocą kabli symetrycznych lub niesymetrycznych (XLR/6,3 mm jack/mini-jack). Zintegrowany 4-kanalowy pulpit mikserski wyposażony jest w wejście mikrofonowe, wysokoomowe wejście na instrument, np. gitarę elektryczną, oraz w wejście na dodatkowe urządzenia z poziomem liniowym, a także w moduł Bluetooth.



PRZYŁĄCZA, ELEMENTY OBSŁUGI I WSKAŹNIKI



1 MIC INPUT

Symetryczne wejście mikrofonowe (XLR/6,3 mm Combo jack). Możliwe jest także użycie niesymetrycznego kabla mikrofonowego (jack mono). Wejście mikrofonowe wyposażone jest w filtr stuków krokowych 100 Hz, służący do tłumienia niepożądanych elementów sygnału o niskiej częstotliwości. WSKAZÓWKA: wejście mikrofonowe nie jest wyposażone w zasilanie fantomowe.

2 HI-Z INPUT

Wejście mono z gniazdem jack 6,3 mm na gitarę akustyczną lub elektryczną. Oba wejścia MP3 i HI-Z mogą być używane jednocześnie. Stosunek głośności należy ustawić w instrumencie lub w podłączonym urządzeniu.

3 MP3 INPUT

Liniowe wejście stereo z gniazdem jack 3,5 mm na odtwarzacz MP3 lub inne urządzenie. Sygnał stereo jest wewnętrznie sumowany do sygnału mono. Oba wejścia MP3 i HI-Z mogą być używane jednocześnie. Stosunek głośności należy ustawić na instrumencie lub w podłączonym urządzeniu.

4 LINE

Regulator głośności dla kanału liniowego (wejścia liniowe na tylnej ścianie subwoofera). Obrót w lewo powoduje zmniejszenie, a w prawo – zwiększenie głośności.

5 MIC

Regulator głośności dla kanału mikrofonu. Obrót w lewo powoduje zmniejszenie, a w prawo – zwiększenie głośności.

6 MP3 / HI-Z

Regulator głośności dla kanału MP3 lub kanału dla instrumentu. Obrót w lewo powoduje zmniejszenie, a w prawo – zwiększenie głośności. Oba wejścia MP3 i HI-Z mogą być używane jednocześnie. Stosunek głośności należy ustawić na instrumencie lub w podłączonym urządzeniu.

7 BLUETOOTH®

Regulator głośności dla modułu Bluetooth®. Obrót w lewo powoduje zmniejszenie, a w prawo – zwiększenie głośności.

8 HI-BOOST

Filtr high-shelf służący do dostosowania częstotliwości dźwięku do akustyki pomieszczenia (obróć w lewo do oporu = brzmienie neutralne, obrót w prawo = wyższa częstotliwość).

9 SUB LEVEL

Ustawianie stosunku głośności subwoofera i głośnika kolumnowego.

10 MAIN LEVEL

Regulacja głośności ogólnej. Głośność subwoofera regulowana jest zgodnie z ustawieniami regulatora poziomu SUB LEVEL.

11 WSKAŹNIKI LED

ON: zapala się, gdy urządzenie jest prawidłowo podłączone do sieci elektrycznej i włączone.

SIGNAL: zapala się, gdy do urządzenia zostanie doprowadzony sygnał audio. Do regulacji poziomu sygnału służy regulator MAIN LEVEL.

LIMIT: zapala się, gdy system głośników pracuje w górnym w zakresie granicznym. Krótkie zaświecenie się diody LED nie jest krytyczne. Aby chronić system, zbyt wysoki poziom sygnału jest obniżany przez zintegrowany limiter. Jeżeli dioda LED limitera świeci się dłużej lub na stałe, należy zredukować poziom głośności. Nieprzestrzeganie tych zaleceń może skutkować zniekształconym odtwarzaniem dźwięku i uszkodzeniem systemu głośników.

PROTECT: zapala się, gdy system jest przeciążony lub przegrzany. Wzmacniacze są automatycznie wyciszane. Po osiągnięciu standardowych warunków pracy urządzenie przełącza się po kilku minutach z powrotem na normalny tryb działania.

12 BLUETOOTH® LED

Pulpit mikserki systemu Array LD MAUI 5 wyposażony jest w Bluetooth, co oznacza, że możliwe jest odtwarzanie plików audio z innego urządzenia Bluetooth (np. smartfonu) na głośnikach LD MAUI 5 (maksymalna odległość między tymi urządzeniami wynosi ok. 10 metrów). Jeżeli z wewnętrznym modulem Bluetooth nie jest połączone żadne urządzenie Bluetooth, wówczas niebieska dioda LED dla sygnału Bluetooth nie nadaje żadnego sygnału, w trybie gotowości do podłączenia dioda LED pulsuje rytmicznie z częstotliwością ok. 3 Hz, a gdy istnieje połączenie Bluetooth i odtwarzanie ścieżek jest możliwe, dioda LED świeci światłem ciągłym. Ustawienie poziomu głośności następuje za pomocą regulatora głośności Bluetooth® (nr 7) lub na urządzeniu zewnętrznym.

13 HOLD TO LINK

Aby utworzyć połączenie między modulem Bluetooth a urządzeniem Bluetooth, należy nacisnąć i przytrzymać przycisk HOLD to LINK przez ok. 5 sekundy, dopóki dioda LED dla sygnału Bluetooth nie zacznie rytmicznie pulsować (ok. 3 Hz). Następnie należy aktywować Bluetooth na swoim urządzeniu Bluetooth i wyszukać dostępne urządzenia. Wybrać pozycję „LD MAUI5” i utworzyć połączenie między urządzeniem Bluetooth a jednostką Bluetooth. Można rozpocząć odtwarzanie ścieżek. Aby zakończyć połączenie, należy ponownie nacisnąć i przytrzymać przycisk HOLD to LINK przez ok. 3 sekundy. Jeżeli połączenie Bluetooth zostanie przerwane (np. zbyt duża odległość między urządzeniami), dioda Bluetooth-LED gaśnie. W ciągu ok. 90 sekund połączenie może zostać automatycznie przywrócone (urządzenie Bluetooth ponownie w zasięgu). Po przekroczeniu czasu 90 sekund moduł Bluetooth głośnika LD MAUI 5 automatycznie się wyłączy.

14 LINE INPUT LEFT / RIGHT

Symetryczne wejście liniowe z gniazdami XLR/Combo jack 6,3 mm (lewe/prawe) do podłączania urządzeń zewnętrznych (np. pulpitu mikserskiego, keyboardu). Przy podłączaniu źródła sygnału należy użyć wejścia liniowego LEFT/MONO.

15 GNIAZDO SIECIOWE I UCHWYT BEZPIECZNIKOWY

Gniazdo sieciowe IEC ze zintegrowaną podstawą bezpiecznika. W zestawie znajduje się odpowiedni kabel sieciowy. System PA LD Systems MAUI 5 przystosowany jest do pracy w dwóch zakresach napięcia roboczego (od 100 V do 120 V AC oraz od 200 V do 240 V AC). Przełączanie następuje automatycznie. **WAŻNA INFORMACJA:** bezpiecznik należy wymieniać wyłącznie na bezpiecznik tego samego typu i o takich samych parametrach. Zwrócić uwagę na oznaczenie na obudowie. Jeżeli bezpiecznik stale się przepala, należy skontaktować się z autoryzowanym centrum serwisowym.

16 POWER ON / OFF

Włącznik/Wyłącznik dopływu zasilania do urządzenia.

LD SYSTEMS LECC DSP

Co oznacza nazwa LD Systems LECC DSP?

DSP to skrót od Digital Signal Processing (Cyfrowe Przetwarzanie Sygnałów), LECC oznacza Limiter, EQ, Compressor i Crossover (limiter, korektor, kompresor i zwrotnica). Cyfrowe przetwarzanie dźwięków gwarantuje optymalne odtwarzanie sygnału audio z maksymalną czystością i równocześnie chroni system PA przed przeciążeniem.

CO DOKŁADNIE POWODUJE LECC DSP?

Funkcja limitera chroni głośnik i zapobiega powstawaniu zniekształceń wynikających z przesterowania. Oddzielne limitytery dla strefy niskich, średnich i wysokich tonów osłabiają sygnał, gdy poziom przekroczy wartość, która mogłaby mieć negatywny wpływ na system. Każdy limiter został zoptymalizowany dla jednego z trzech zakresów częstotliwości płynnie przechodzących jeden w drugi (limiter wielopasmowy). Dzięki temu system może pracować przy łącznie wyższym ciśnieniu akustycznym, gdyż ekstremalne poziomy sygnału są automatycznie osłabiane, w związku z czym nie ma konieczności redukcji głośności ogólnej. Korektor wielopasmowy obsługuje cały zakres częstotliwości i optymalizuje ogólne brzmienie systemu.

Kompresor jest włączany automatycznie, aby wzmocnić basy i wytworzyć mocniejszy dźwięk. Przy zwiększaniu poziomu głośności moc głośnika niskotonowego jest automatycznie redukowana. Takie automatyczne sterowanie basami pozwala na ich optymalne dopasowanie do ogólnego brzmienia systemu.

Zwrotnice głośnikowe przydzielają sygnał audio w zależności od zakresu częstotliwości do danego głośnika, czyli do subwoofera, głośnika średnio- lub wysokotonowego kolumny Array. Optymalizacja amplitudy i czasu reakcji zwrotnic zapewnia równomierne wyprowadzanie wszystkich częstotliwości i ich równoczesne dotarcie do słuchacza.

SPECYFIKACJE

Nazwa modelu	LDMAU15 (W)
Typ:	UltraprzENOśny system kolumn PA z mikserem i Bluetooth
Subwoofer:	1 x 8" bass reflex
Pionowy system array:	4 x 3"
Wzmocnienie:	klasa D
Dyspersja (H x V):	120° x 20°
Moc wyjściowa (RMS/szczytowa)	2 x 100 W/2 x 400 W
Charakterystyka częstotliwościowa:	50 Hz–20 kHz
Maks. ciśnienie akustyczne (szczytowe):	120 dB
Ochrona:	Limiter wielopasmowy oparty na DSP, zabezpieczenie przed zwarcim, prądem przeciążeniowym, przegrzaniem
Regulacja:	Main Level, Subwoofer Level, Hi Boost, Mic Level, MP3/Hi-Z Level, Line Level, Bluetooth® Level, Bluetooth® Button, ON/OFF switch
Wskaźniki:	On, signal, limit, protect, Bluetooth®
Złącza subwoofera:	Wejście liniowe: 2 x XLR/6,3 mm combo jack, wejście mikrofonowe: XLR / 6,3 mm jack, wejście MP3: 3,5 mm jack, wejście Hi-Z: jack 6,3 mm
Złącza kolumn:	złącze wielostykowe Custom Made
Materiał obudowy:	ABS
Zasilanie:	SMPS
Złącze zasilania:	IEC
Napięcie robocze:	AC 100–120 V, 50/60 Hz AC 200–240V, 50/60 Hz
Zużycie energii (maks):	300 W
Zakres temperatur:	0°C–50°C
Zakres wilgotności:	wilg. względna 10%–70% (bez kondensacji)
Wymiary (szer. x wys. x gł.):	Subwoofer: 305 x 405 x 395 mm kolumna (3 elementy): 82 x 535 x 105 mm
Waga:	11,3 kg
Właściwości:	przetwarzanie sygnału LD LECC DSP (limiter, korektor, kompresor, zwrotnica), Hi Boost, 100 Hz filtr górnoprzepustowy na kanale mikrofonowym, łatwe podłączanie dzięki wtyczce wielostykowej, Bluetooth®
Dostępne akcesoria:	Torba transportowa na głośniki kolumnowe (LDM5SATBAG), Borsone per subwoofer (LDM5SUBPC)

DEKLARACJE PRODUCENTA

GWARANCJA PRODUCENTA I OGRANICZENIE ODPOWIEDZIALNOŚCI

Nasze aktualne warunki gwarancji i informacje dotyczące ograniczenia odpowiedzialności znajdują Państwo na stronie: <http://www.adamhall.com/media/shop/downloads/documents/manufacturersdeclarations.pdf>. W razie konieczności skorzystania z serwisu proszę skontaktować się z firmą Adam Hall GmbH, Daimlerstraße 9, 61267 Neu Anspach / e-mail Info@adamhall.com / +49 (0)6081 / 9419-0. W celu uzyskania aktualnej wersji deklaracji zgodności proszę zwrócić się z zapytaniem na e-mail: info@adamhall.com.



PRAWIDŁOWA UTYLIZACJA NINIEJSZEGO PRODUKTU

(Obowiązuje w Unii Europejskiej i innych krajach europejskich stosujących system sortowania odpadów) Niniejszy symbol na produkcie lub związanych z nim dokumentach wskazuje, iż urządzenie po zakończeniu okresu użytkowania nie może być utylizowane razem ze standardowymi odpadami domowymi, aby uniknąć szkód w środowisku lub szkód na osobie powstałych w wyniku niekontrolowanego usuwania odpadów. Niniejszy produkt należy utylizować oddzielnie od innych odpadów i przekazać do punktu recyklingu w celu ponownego wykorzystania użytych w nim materiałów w ramach idei zrównoważonego rozwoju. Klienci prywatni otrzymują informacje w zakresie przyjaznych dla środowiska możliwości usuwania odpadów od sprzedawcy, u którego produkt został zakupiony, lub w odpowiednich placówkach regionalnych. Użytkownicy będący przedsiębiorcami proszeni są o kontakt ze swoimi dostawcami i ewentualne sprawdzenie uzgodnionych umownie warunków utylizacji urządzeń. Niniejszy produkt nie może być utylizowany razem z innymi odpadami przemysłowymi.

ENGLISH

DEUTSCH

FRANCAIS

ESPAÑOL

POLSKI

ITALIANO

汉字

漢字

AVETE FATTO LA SCELTA GIUSTA!

Quest'apparecchio è stato sviluppato e prodotto secondo elevati standard qualitativi che garantiscono un funzionamento regolare per molti anni. Per questo motivo LD Systems, con il suo nome e la pluriennale esperienza, rappresenta un'azienda produttrice di prodotti audio di qualità. Leggete attentamente questo manuale d'uso per utilizzare al meglio il vostro nuovo prodotto LD Systems. Per maggiori informazioni su **LD SYSTEMS**, consultate la nostra pagina web WWW.LD-SYSTEMS.COM

MISURE PRECAUZIONALI

1. Leggere attentamente il presente manuale di istruzioni.
2. Conservare tutte le indicazioni e le istruzioni in un luogo sicuro.
3. Seguire le istruzioni.
4. Rispettare tutte le avvertenze. Non rimuovere dal dispositivo le indicazioni sulla sicurezza o altre informazioni.
5. Utilizzare il dispositivo solo nei modi previsti dal manuale.
6. Utilizzare esclusivamente stativi e fissaggi stabili e adatti (per installazioni fisse). Verificare che i supporti a parete siano installati e fissati a regola d'arte. Verificare che il dispositivo sia installato in modo stabile e non possa cadere.
7. Durante l'installazione, osservare le normative sulla sicurezza in vigore nel proprio Paese.
8. Non installare né azionare il dispositivo in prossimità di radiatori, accumulatori termici, stufe o altre fonti di calore. Accertarsi che il dispositivo sia sempre installato in modo che venga raffreddato a sufficienza e non possa surriscaldarsi.
9. Non appoggiare sul dispositivo fonti di combustione, quali candele accese.
10. Le fessure di areazione non devono essere bloccate. Evitare l'esposizione diretta ai raggi solari.
11. Non attivare il dispositivo nelle immediate vicinanze di acqua (questo punto non interessa i dispositivi specifici per l'esterno, per i quali valgono le speciali indicazioni riportate di seguito). Non portare mai il dispositivo a contatto con materiali, liquidi o gas infiammabili.
12. Accertarsi che all'interno del dispositivo non possa penetrare acqua per gocciolamento o spruzzo. Non collocare sul dispositivo oggetti contenenti liquidi, quali vasi, tazze o bicchieri.
13. Assicurarsi che non sia possibile la caduta di oggetti nel dispositivo.
14. Azionare il dispositivo esclusivamente con gli accessori appositamente consigliati e previsti dal produttore.
15. Non aprire né modificare il dispositivo.
16. Una volta collegato il dispositivo, verificare tutti i cavi per evitare danni o incidenti, ad esempio per inciampo.
17. Durante il trasporto, assicurarsi che il dispositivo non possa cadere e causare possibili danni a cose e/o persone.
18. Se il dispositivo non funzionasse più correttamente, vi fosse caduto sopra del liquido o un oggetto o fosse stato danneggiato in altro modo, spegnerlo immediatamente e staccare la spina (se si tratta di un dispositivo attivo). La riparazione del dispositivo deve essere affidata esclusivamente a personale qualificato autorizzato.
19. Per la pulizia del dispositivo utilizzare un panno pulito.
20. Rispettare le leggi sullo smaltimento in vigore nel Paese di installazione. Al momento di smaltire l'imballo, separare la plastica dalla carta e dal cartone.
21. I sacchetti di plastica devono essere tenuti lontani dalla portata dei bambini.

DISPOSITIVI CON ALLACCIAMENTO DI RETE

22. **ATTENZIONE:** se il cavo di rete è dotato di protezione, deve essere collegato a una presa di rete con messa a terra. Non disattivare mai la connessione di messa a terra di un cavo di rete.
23. Non accendere il dispositivo subito dopo essere stato sottoposto a forti variazioni di temperatura (ad esempio dopo il trasporto). Umidità e condensa potrebbero danneggiare il dispositivo. Accendere il dispositivo solo dopo che ha raggiunto la temperatura ambiente.
24. Prima di collegare il dispositivo alla presa, controllare innanzitutto se la tensione e la frequenza della rete elettrica coincidono con i valori indicati sul dispositivo stesso. Nel caso di dispositivo munito di selettore di tensione, collegarlo alla presa unicamente se i valori del dispositivo coincidono con quelli della rete elettrica. Se il cavo di rete o l'adattatore di rete forniti in dotazione non sono compatibili con la presa, rivolgersi a un elettricista.
25. Non calpestare il cavo di rete. Accertarsi che i cavi sotto tensione, in particolare della presa di rete o dell'adattatore di rete, non vengano pizzicati.
26. Durante il cablaggio del dispositivo, verificare sempre che il cavo di rete e l'adattatore di rete siano costantemente accessibili. Staccare sempre il dispositivo dall'alimentazione di rete quando non è utilizzato o durante la pulizia. Per staccare dalla presa il cavo di rete e l'adattatore di rete, tirare sempre dalla spina o dall'adattatore e non dal cavo. Non toccare mai il cavo di alimentazione e l'alimentatore con le mani umide.
27. Evitare per quanto possibile di accendere e spegnere velocemente il dispositivo per non pregiudicare la durata.
28. **NOTA IMPORTANTE:** Sostituire i fusibili esclusivamente con fusibili dello stesso tipo e valore. Se un fusibile continua a saltare, rivolgersi a un centro di assistenza autorizzato.
29. Per staccare completamente il dispositivo dalla rete elettrica, rimuovere il cavo di rete o l'adattatore di rete dalla presa.
30. Per staccare un dispositivo provvisto di presa Volex, è prima necessario sbloccare la relativa spina Volex del dispositivo stesso. Tirando il cavo di rete, però, il dispositivo potrebbe spostarsi e cadere, provocando danni alle persone o di altro genere. Prestare quindi la più scrupolosa attenzione durante la posa dei cavi.
31. In caso di pericolo di caduta di fulmine, o se il dispositivo rimane inutilizzato a lungo, staccare sempre il cavo di rete e l'adattatore di rete dalla presa.

**ATTENZIONE**

non togliere mai il coperchio di protezione per evitare il pericolo di scosse elettriche. L'interno del dispositivo non contiene parti che possono essere riparate o sottoposte a manutenzione da parte dell'utente. Le riparazioni dovranno essere realizzate esclusivamente da tecnici qualificati.



Il triangolo isoscele con il simbolo del fulmine indica la presenza nel dispositivo di tensioni non isolate, "pericolose", che possono provocare scosse dannose alla salute.



Il triangolo isoscele con punto esclamativo avverte di importanti segnalazioni relative all'uso e alla manutenzione.

ATTENZIONE: ELEVATI LIVELLI SONORI NEI PRODOTTI AUDIO!

Questo dispositivo è destinato a uso professionale. Di conseguenza, se viene destinato ad un uso commerciale, sarà soggetto alle norme e ai regolamenti dell'Associazione per la prevenzione di infortuni del rispettivo settore professionale. In qualità di produttore, Adam Hall è tenuto per legge a informare espressamente gli utenti degli eventuali rischi per la salute.

Danni all'udito provocati da un'esposizione prolungata a un livello SPL elevato: dall'utilizzo di questo prodotto si possono generare elevati livelli di pressione sonora (SPL) che possono provocare danni irreparabili all'udito di artisti, collaboratori e spettatori. Evitare l'esposizione prolungata a livelli sonori elevati, superiori a 90 dB.



Per evitare possibili danni all'udito, evitare l'ascolto ad un volume elevato per periodi prolungati.

L'esposizione al volume elevato può causare danni all'udito anche se è di breve durata. Mantenere sempre il volume ad un livello gradevole.

NOTA: la presente apparecchiatura è stata testata e trovata conforme ai limiti previsti per i dispositivi digitali di Classe B, ai sensi della Parte 15 delle norme FCC. I limiti previsti sono intesi a garantire una ragionevole protezione dalle interferenze dannose nelle installazioni residenziali. Il presente apparecchio genera, utilizza e può irradiare energia in radiofrequenza e, se non utilizzato in conformità alle istruzioni, può causare interferenze dannose con le comunicazioni radio. Tuttavia non viene fornita alcuna garanzia relativamente alla possibilità che in particolari installazioni non si generino interferenze. Qualora il presente apparecchio generi interferenze dannose alla ricezione radiofonica o televisiva, evento che può essere accertato spegnendo e riaccendendo il dispositivo, si invita l'utente a cercare di eliminare l'interferenza adottando una o più misure tra le seguenti:

- Modificare l'orientamento o la posizione dell'antenna ricevente.
- Aumentare la distanza tra l'apparecchio e il dispositivo ricevente.
- Collegare l'apparecchio a una presa elettrica di un circuito diverso da quello a cui è collegato il dispositivo ricevente.
- Per aiuto rivolgersi al punto vendita o a un tecnico radio/TV esperto.

INTRODUZIONE

LD Systems MAUI 5 – sistema PA ultracompatto a colonna con Mixer e Bluetooth®

Il MAUI 5, con un peso di soli 11,3 kg, è un sistema PA ultracompatto e monitorato all-in-one. Grazie ai suoi connettori multipin speciali e 4 componenti, l'array più piccolo della serie MAUI si monta in pochi secondi, offrendo inoltre un ampio angolo di copertura e un'eccellente riduzione del feedback acustico. Il MAUI 5 è facile da trasportare ed entra perfettamente nel sedile di una macchina. La cassa bass reflex del subwoofer da 8" ospita anche l'amplificatore di classe D del sistema e dispone di circuiti di protezione da sovratensione, surriscaldamento e cortocircuito, un processore digitale a segnali LECC di LD Systems e un mixer a 4 canali. Grazie alla tecnologia Bluetooth® per la trasmissione wireless e alle entrate per microfono, linea ed alta impedenza che si possono utilizzare contemporaneamente, è possibile connettere ogni genere di fonti di segnale al MAUI 5, ad esempio riproduttori e strumenti come tastiere o chitarre. I controlli di volume separati per le entrate, il subwoofer e il sistema, nonché un filtro high shelf per adattare le frequenze alte all'acustica della sala, consentono di ottenere dei risultati perfetti.

INDICAZIONI GENERALI

Prima di essere messo in funzione, il subwoofer del sistema PA MAUI 5 di LD Systems deve essere collocato in posizione verticale su una superficie piana, facendolo appoggiare sui suoi piedini in gomma. Non utilizzare mai il sistema quando si trova su un carrello di trasporto per evitare possibili spostamenti incontrollati che potrebbero avere come conseguenza danni e infortuni. Per consentire una sufficiente dissipazione del calore durante l'uso dell'apparecchio, mantenere una distanza di 50 cm tra il pannello posteriore del subwoofer e altri oggetti, pareti, ecc.

Assicurarsi che il sistema e tutti i dispositivi collegati, come mixer, lettori CD, ecc., siano connessi correttamente all'audio e all'alimentazione elettrica. Utilizzare esclusivamente cavi integri di sezione adeguata e svolgere sempre completamente gli avvolgicavi. Se del caso, utilizzare pressacavi per evitare di inciampare in cavi liberi a pavimento. Non posizionare mai il dispositivo direttamente su un dislivello. Non collocare il subwoofer su un tavolo. Per evitare rumori fastidiosi all'accensione e allo spegnimento dei dispositivi collegati, è consigliabile aver cura di accendere sempre il sistema per ultimo e di spegnerlo per primo.

MONTAGGIO

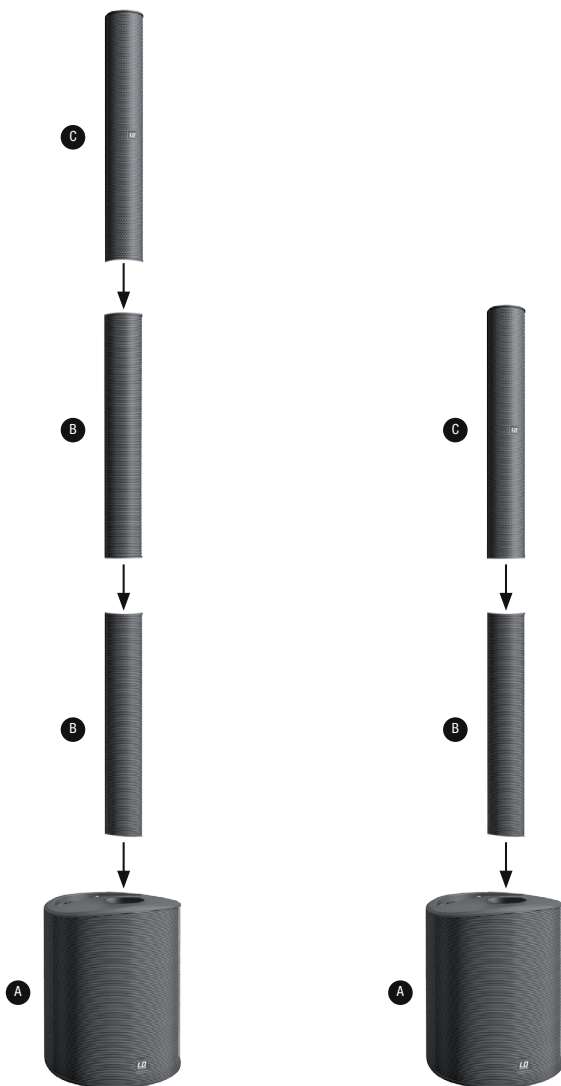
Il sistema PA MAUI 5 di LD Systems è costituito da questi quattro componenti:

- A. Un subwoofer con elettronica integrata per tutti i componenti del sistema.
- B. Due alberi identici con connettori nella parte inferiore e superiore.
- C. Un array a colonna dotato di altoparlanti e un connettore nella parte inferiore.

Una volta posizionato il subwoofer, unire gli alberi allo stesso e poi collocarli sopra la colonna degli altoparlanti. A seconda dell'applicazione, la colonna di altoparlanti si può collocare utilizzando solo uno degli alberi montato sul subwoofer.

CONNESSIONE E FUNZIONAMENTO

Nel dispositivo si può regolare sia il MAIN LEVEL sia il SUB LEVEL in rapporto con il volume complessivo. I dispositivi di riproduzione si possono collegare con cavi bilanciati o non bilanciati (XLR/jack da 6,3 mm/mini jack). Il mixer integrato a 4 canali dispone di un ingresso microfono, un ingresso strumenti ad alta impedenza, ad esempio per una chitarra elettrica, ingressi per dispositivi di riproduzione con livello di linea e un'unità Bluetooth.



CONNESSIONI, COMANDI E INDICATORI



1 MIC INPUT

Ingresso microfono bilanciato (combo XLR/jack da 6,3 mm). È anche possibile utilizzare un cavo microfono non bilanciato (jack mono). L'ingresso del microfono dispone di un filtro integrato da 100 Hz per rumore d'impatto che sopprime i segnali di bassa frequenza indesiderati. NOTA: l'ingresso del microfono non è munito di alimentazione phantom.

2 HI-Z INPUT

Ingresso mono con presa jack da 6,3 mm per chitarra acustica o elettrica. Gli ingressi MP3 ed HI-Z possono essere utilizzati contemporaneamente, impostando il rapporto del volume sullo strumento o sul dispositivo di riproduzione.

3 MP3 INPUT

Ingresso di linea stereo con presa jack da 3,5 mm per un riproduttore MP3 o altro dispositivo di riproduzione. Internamente, un segnale stereo presente passa a mono. Gli ingressi MP3 ed HI-Z possono essere utilizzati contemporaneamente, impostando il rapporto del volume sullo strumento o sul dispositivo di riproduzione.

4 LINE

Regolatore del volume per il canale di linea (ingresso di linea sul pannello posteriore del subwoofer). Ruotando il pomolo verso sinistra si abbassa il volume, verso destra si alza.

5 MIC

Regolatore di volume audio per il canale microfono. Ruotando il pomolo verso sinistra si abbassa il volume, verso destra si alza.

6 MP3 / HI-Z

Regolatore di volume audio per il canale MP3 o dello strumento. Ruotando il pomolo verso sinistra si abbassa il volume, verso destra si alza. Gli ingressi MP3 ed HI-Z possono essere utilizzati contemporaneamente, impostando il rapporto del volume sullo strumento o sul dispositivo di riproduzione.

7 BLUETOOTH®

Regolatore di volume audio del modulo Bluetooth®. Ruotando il pomolo verso sinistra si abbassa il volume, verso destra si alza.

8 HI-BOOST

Filtro high self per adattare le frequenze alte all'acustica della sala (ruotato completamente a sinistra = suono neutro, ruotato completamente a destra = aumento degli acuti).

9 SUB LEVEL

Impostazione del rapporto di volume del subwoofer e dell'altoparlante a colonna.

10 MAIN LEVEL

Impostazione del volume generale. Il volume dei subwoofer si regola in base alla preimpostazione con il controllo SUB LEVEL.

11 INDICATORI LED

ON: Si accende se il dispositivo è correttamente connesso alla rete elettrica e acceso.

SIGNAL: Si accende quando sul dispositivo compare un segnale audio. Il segnale viene rilevato prima del regolatore MAIN LEVEL.

LIMIT: Si accende quando il sistema di altoparlanti raggiunge la gamma limite. Una breve accensione del LED non è un segnale critico. Per proteggere il sistema, il limitatore integrato regola delicatamente un eccessivo livello di segnale. Se il LED del limitatore lampeggia a lungo resta acceso, abbassare il volume, altrimenti si possono generare distorsioni nella riproduzione del suono e danni al sistema altoparlanti.

PROTECT: Si accende in caso di sistema sovraccarico o surriscaldato. Gli amplificatori vengono silenziati automaticamente. Una volta raggiunte le normali condizioni di esercizio, dopo qualche minuto il dispositivo torna alla normale modalità di funzionamento.

12 BLUETOOTH® LED

Il mixer del sistema array LD MAUI 5 è dotato di Bluetooth; i file audio di un altro dispositivo Bluetooth (ad esempio uno smartphone) possono pertanto essere riprodotti sugli altoparlanti LD MAUI 5 (distanza massima tra i due dispositivi circa 10 metri). Se all'unità Bluetooth non è collegato alcun dispositivo Bluetooth, il LED blu del Bluetooth è spento; durante l'accoppiamento il LED lampeggia ritmicamente a circa 3 Hz. Se il LED del Bluetooth rimane acceso, significa che il collegamento Bluetooth è stabilito e la riproduzione dei titoli può essere avviata. Il volume si regola con il controllo del livello del modulo Bluetooth® (7), o del dispositivo di riproduzione.

13 HOLD TO LINK

Per accoppiare e collegare un'unità Bluetooth interna con un altro dispositivo Bluetooth, premere e tenere premuto per circa 5 secondi il tasto HOLD to LINK, fino a quando il LED Bluetooth lampeggia ritmicamente (circa 3 Hz), attivare il Bluetooth sul proprio dispositivo Bluetooth e cercare i dispositivi disponibili sull'interfaccia utente. Selezionare l'opzione "LD MAUI5" e utilizzarlo per accoppiare il dispositivo Bluetooth con l'unità Bluetooth. Ora è possibile avviare la riproduzione delle tracce. Per scollegarlo, premere e mantenere premuto il tasto HOLD to LINK brevemente per circa 3 secondi. Se la connessione Bluetooth si interrompe (ad esempio se è fuori copertura), il LED Bluetooth si spegne. Se il dispositivo Bluetooth ritorna nella zona di copertura prima che passino 90 secondi, la connessione si ripristina automaticamente. Se si superano questi 90 secondi, il modulo Bluetooth del LD MAUI 5 si disattiverà automaticamente.

14 LINE INPUT LEFT / RIGHT

Ingresso di linea bilanciato con presa combo XLR/jack da 6,3 mm, (sinistro/destro) per il collegamento di un dispositivo di riproduzione (ad es. mixer o tastiere). Se si collega una fonte di segnale mono, utilizzare l'ingresso della linea LEFT/MONO.

15 PRESA DI ALIMENTAZIONE E PORTAFUSIBILE

Presenza di rete IEC con portafusibili integrati. In dotazione viene fornito un cavo di rete idoneo. Il sistema MAUI 5 PA di LD Systems è progettato per il funzionamento a 2 intervalli di tensione (100 V - 120 V AC e 200 V - 240 V AC). La conversione è automatica. **NOTA IMPORTANTE:** sostituire il fusibile solo con un fusibile dello stesso tipo e con gli stessi valori. Osservare la stampigliatura sulla cassa. Se il fusibile continua a saltare, rivolgersi a un centro di assistenza autorizzato.

16 POWER ON / OFF

Interruttore di accensione/spegnimento dell'alimentazione elettrica del dispositivo.

ELABORATORE LECC DSP DI LD SYSTEMS

COS'È L'ELABORATORE LECC DSP DI LD SYSTEMS?

DSP è l'acronimo di Digital Signal Processing (elaborazione digitale dei segnali), mentre LECC sta per Limiter, EQ, Compressor e Crossover (limitatore, equalizzatore, compressore e crossover). L'elaborazione digitale dei segnali ottimizza la riproduzione, assicurandone la massima chiarezza, proteggendo nel contempo il sistema PA dal sovraccarico.

NELLO SPECIFICO COSA FA IL LECC DSP?

La funzione limitatore protegge gli altoparlanti evitando distorsioni da sovraccarico. Le frequenze basse, medie e alte sono controllate da limitatori indipendenti che agiscono sul segnale affinché non superi un determinato valore con possibili conseguenze negative. Ogni limitatore è ottimizzato per una delle tre bande di frequenza integrate adiacenti (limitatore multibanda). Il livello di pressione sonora ottenuto in questo modo è maggiore dal momento che i picchi di segnale estremi vengono automaticamente indeboliti senza la necessità di ridurre il volume complessivo del sistema. L'equalizzatore multibanda elabora tutte le bande di frequenza e ottimizza il suono complessivo del sistema.

Il compressore si attiva automaticamente per esaltare i gravi e ottenere un suono più potente. Con il progressivo aumento del volume, il bass-boost diminuisce proporzionalmente. Il risultato è una risposta dei gravi controllata automaticamente e sempre perfettamente calibrata.

I crossover assegnano il segnale audio al relativo altoparlante in base alle bande di frequenza, vale a dire al subwoofer e agli altoparlanti dei medi e degli acuti dell'array a colonna. Sono ottimizzati in termini di ampiezza e ritardo, il che si traduce in frequenze coordinate che gli ascoltatori ricevono in modo simultaneo.

DATI TECNICI

Modello	LDM5UI5 (W)
Tipo:	Sistema PA a colonna ultra-compatto con mixer e Bluetooth
Subwoofer:	Bass reflex 1 x 8"
Sistema ad array verticale:	4 x 3"
Amplificazione:	Classe D
Dispersione (H x V):	120° x 20°
Potenza (RMS/picco):	2 x 100 W / 2 x 400 W
Risposta in frequenza:	50 Hz - 20 kHz
Max. SPL (picco):	120 dB
Protezione:	Limitatore multibanda, cortocircuito, sovraccorrente e surriscaldamento basati su DSP
Comandi:	Main Level, Sub Level, Hi Boost, controllo livello Mic, controllo livello MP3/Hi-Z, controllo livello Line, controllo livello Bluetooth®, pulsante Bluetooth®, interruttore di accensione/spegnimento
Indicatori:	On, signal, limit, protect, Bluetooth®
Connettori del subwoofer:	Entrata LINE INPUT: 2 combo XLR/jack da 6,3 mm, entrata MIC: combo XLR/jack da 6,3 mm, entrata MP3: minijack da 3,5 mm, entrata Hi-Z: jack da 6,3 mm
Connettori colonna:	Connettore multipin realizzato su misura
Materiale della cassa:	ABS
Alimentazione:	Alimentatore a commutazione
Connettore alimentazione:	IEC
Tensione elettrica:	100-120 VAC, 50/60 Hz 200-240 VAC, 50/60 Hz
Consumo di potenza (max.):	300 W
Intervallo di temperatura:	0 °C - 50 °C
Intervallo di umidità:	10% - 70% rel. (senza condensa)
Dimensioni (L x H x P):	Subwoofer: 305 x 405 x 395 mm Colonna (3x): 82 x 535 x 105 mm
Peso:	11,3 kg
Caratteristiche:	Elaborazione di segnali LD LECC DSP (limitatore, equalizzatore, compressore, crossover), filtro Hi Boost, filtro taglia bassi a 100 Hz all'entrata del Mic, connessione agevole con connettori multipin, Bluetooth®
Accessori disponibili:	Borse per altoparlanti a colonna (LDM5SATBAG), Borse per subwoofer (LDM5SUBPC)

DICHIARAZIONI DEL PRODUTTORE

ENGLISH

MANUFACTURER'S WARRANTY & LIMITATION OF LIABILITY

Le nostre attuali condizioni di garanzia e la limitazione di responsabilità sono consultabili alla pagina: <http://www.adamhall.com/media/shop/downloads/documents/manufacturersdeclarations.pdf>. In caso di assistenza, rivolgersi a Adam Hall GmbH, Daimlerstraße 9, 61267 Neu Anspach / E-mail Info@adamhall.com / +49 (0)6081 / 9419-0. La dichiarazione di conformità aggiornata può essere richiesta a info@adamhall.com.

DEUTSCH



CORRETTO SMALTIMENTO DEL PRODOTTO

(In vigore nell'Unione Europea e in altri Paesi europei in cui si attui la raccolta differenziata) Questo simbolo apposto sul prodotto o sui relativi documenti indica che, per evitare danni all'ambiente e alle persone causati da uno smaltimento incontrollato dei rifiuti, alla fine del suo ciclo di vita l'apparecchio non deve essere smaltito insieme ai normali rifiuti domestici. Il prodotto deve quindi essere smaltito separatamente da altri rifiuti e riciclato nell'ottica dell'incentivazione di cicli economici sostenibili. I clienti privati possono richiedere informazioni sulle possibilità di smaltimento ecosostenibile al rivenditore presso il quale è stato acquistato il prodotto o presso le autorità regionali competenti. I clienti aziendali devono invece contattare il proprio fornitore e controllare le eventuali condizioni contrattuali inerenti allo smaltimento degli apparecchi. Questo prodotto non deve essere smaltito assieme ad altri rifiuti industriali.

FRANCAIS

ESPAÑOL

POLSKI

ITALIANO

汉字

漢字

您作出了正确的选择！

在高质量要求下开发和生产了本设备，以确保多年顺利运行。LD SYSTEMS 作为高端音响产品制造商，以其名声和常年经验，为此提供保障。请认真阅读本操作说明书，以便能够迅速最佳使用 LD SYSTEMS 的这款新产品。有关 LD SYSTEMS 的更多信息，敬请登录我们的网页 WWW.LD-SYSTEMS.COM

安全提示

1. 请认真通读本说明书。
2. 请将所有信息和说明保存在可靠地点。
3. 请遵循各项规范。
4. 请注意所有警示。请不要从设备上去除安全提示或其它信息。
5. 请只以预定方式使用设备。
6. 请只使用稳定而又合适的三角架或固定件（当固定安装时）。请确保按规定安装和固定墙上支架。请确保设备已经安全安装并且不会掉落。
7. 安装时请注意本国所适用的各项安全规范。
8. 请不要在取暖器、储热器、炉子或其它热源附近安装和使用设备。安装设备时请关注设备始终可以充分冷却并且不会过热。
9. 请不要将热源放到设备上，例如正在燃烧的蜡烛。
10. 不得封闭通风口。
11. 请不要紧靠在水的附近使用设备。请不要让设备与可燃材料、液体或气体接触。避免阳光直接辐射！
12. 请关注不要有滴水或喷水渗入到设备中。请不要将装有液体的容器放到设备上，例如花瓶或饮料瓶。
13. 请关注不要有异物掉落到设备内。
14. 请只使用制造商推荐和预定的配件使设备运行。
15. 请不要打开和改造设备。
16. 连接好设备后请检查所有电缆线路，以免因绊倒等而发生损害或事故。
17. 运输时请注意设备不会掉落以及有可能造成财产损失和人身伤害。
18. 一旦设备不能正常发挥功能，或者液体或异物进入到设备内部，或者设备以其它方式受到损坏，则请立即关机并与电源插座断开（如果正在使用）。只允许接受授权的专业人员维修本设备。
19. 请使用干毛巾清洁设备。
20. 请注意本国所适用的所有清理法规。清理包装时请将塑料和纸或纸板分开。
21. 塑料袋必须保存在儿童触及范围之外。

在带电源接头的设备中

22. 注意：如果设备电源配备了保护触点，则必须将其连接到带保护导线的插座上。请从不要使电源线的保护导线失效。
23. 当设备承受了严重温度波动时（例如在运输后）请不要立即启动设备。湿气和冷凝水可损坏设备。只有当达到了室温后方才启动设备。
24. 在将设备连接到插座上前首先请检查电源的电压和频率是否与设备上所标注的参数值一致。如果设备具有一个电压选择开关，则只有当设备的参数值与电源的参数值一致时方才将其连接到插座上。如果随机提供的电源线或随机提供的电压转换器与电源插座不匹配，则请联系电工。
25. 请不要踩到电源线。尤其请关注不要折弯电源插座或电源转换器和设备插座上的通电电缆。
26. 在给设备接线时请始终注意一直可以自由接触到电源线或电源转换器。当设备不用或想要清洁设备时请始终将设备断电。请始终在插头或转换器上，而不是在电缆上从插座上拔下电源线。从不要用湿手接触电源线和电源转换器。
27. 请尽最大可能不要先后快速启动和关闭设备，因为否则有可能影响设备寿命。
28. 重要提示：请只换用相同型号和电流值的保险丝。保险丝如再次熔断，则请联系接受授权的售后服务中心。
29. 为将设备完全断开电源，请从插座上拔下电源线或转换器。
30. 如果设备配备了一个可以锁定的电源接头，则在可以去掉之前必须将合适的设备插头解锁。但这也意味着设备可因拉动电源线而滑落和掉落，由此可伤及人员和/或产生其它损害。因此，请始终认真铺设电缆。
31. 当存在雷击危险或者设备较长时间不用时，请从插座上拔下电源线。



注意

从不要去除罩盖，因为否则则存在触电风险。设备内部没有操作人员能够维修或保养的零件。请只让有资质的维修服务人员进行维修。



带闪电符号的等腰三角形警告设备内部存在可造成触电的不绝缘危险电压。



带感叹号的等腰三角形表示重要的操作提示和保养提示。

注意音频产品产生高音量！

本设备预定用于专业用途。本设备的商业运行执行各国有效的事故预防规范和准则。作为制造商，Adam Hall有限公司有法定义务详细向您指出可能存在的各项健康风险。

因持续承受高音量和损害听力：使用本产品时产生可导致演艺人员、员工和观众遭受不可逆听力损害的高声压电平（SPL）。



为了防止有可能损害听觉，请避免在高音量下长时间听音。
高音量影响即使是短时间也可损害听力。请将音量始终保持舒适的水平。

注意：本品已經過檢測，符合FCC第15條規定的B類電子產品極限值的的要求。這些極限值可為住宅室內安裝提供足夠的抗干擾保護。本設備會產生、使用、發射出高頻能量。不按生產商指示安裝和運行，可能對無線電、電視接收產生干擾。這種情況下，我們無法保證不會出現干擾。若本設備對無線電、電視接收產生的干擾，且可透過開、關本產品來驗證這種干擾，使用者則可嘗試透過以下其中一種或多種措施來消除干擾：

- 重新校准接收天線，或者將其換個位置。
- 加大本設備與接收裝置之間的間距。
- 將本設備接到另一個不與接收裝置連接的電路中。
- 若問題未解決，請聯絡經銷商或有經驗的無線電、電視技術人員。

引言

LD 系统 MAUI5——带集成混频器和蓝牙（Bluetooth）® 的超小型柱式 PA

MAUI5 仅重 11.3 公斤，集超小型的PA系统和监控系统于一体。该MAUI系列的最小装置由专门开发的多针连接器和仅有的4个组件构成，在几秒钟内即可装配完毕，且具有广泛照射和高反向耦合强度，足以令人信服。MAUI5 携带方便，且适合于任何汽车座椅。有 8 英寸低音炮底座的低音反射式音箱还容纳了该系统的D类功放单元（具备过电流、过热和短路保护电路）、LD 系统的数字 LECC 信号处理装置和一台4信道混频器。通过用于无线传输的集成蓝牙®技术，以及同时可配备的麦克风、线路和高阻抗输入端，可将各种不同信号源连接到 MAUI5。这些信号源包括各种演奏乐器和器械，如吉他、键盘等。低音炮和系统的单独衰减器、音量控制器，以及针对室内音响效果调节高音播放的一台高架过滤器，使得能实现完美协调的性能。

一般说明

必须将 LD 系统之 MAUI5 PA 系统的低音炮在调试前垂直置于其该系统基部平面上。请勿在滚动车上操作该系统，因为存在因整个系统失控而造成移动的风险，从而可能会导致事故和损坏。为了确保足够冷却，操作时必须必须在低音炮背面与墙壁等其他类似对象之间至少保持 50 厘米的距离。

请确保系统以及所连接的混频器、CD 播放器等设备与合适音频及电源连接器连接。请仅使用直径合适且未损坏的线缆，并总是将线缆卷完全展开。必要时请使用缆线桥架，以避免因松动电缆绊倒的情况。切勿将此设备安装的边缘上。请勿将低音炮放置在桌上。为了在打开所连接的设备时避免不必要的背景噪音，请总是将您的系统在所有设备中作为最后一个打开并作为第一个关闭。

安装

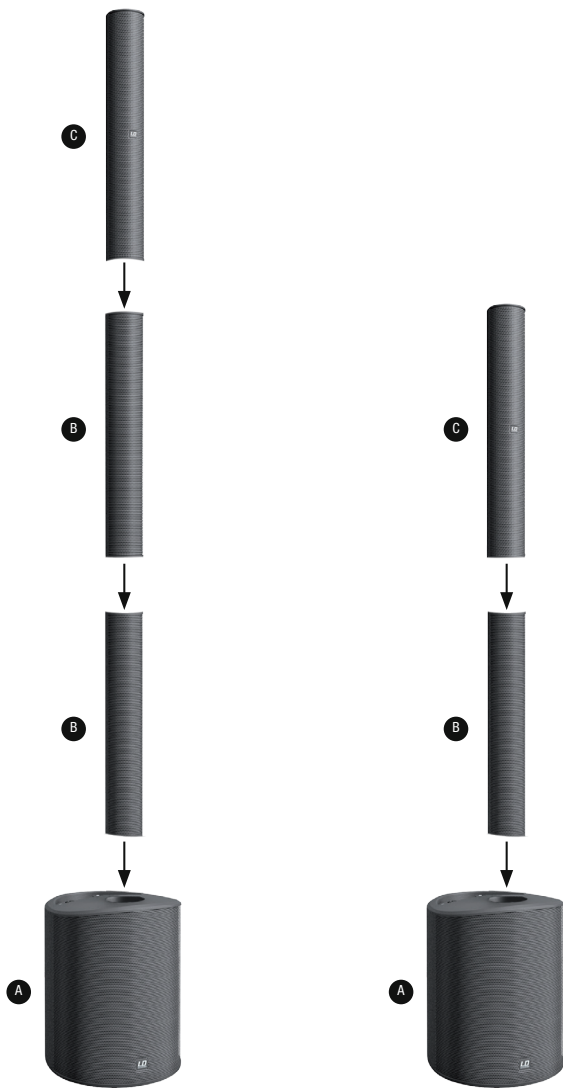
该 LD 系统的 MAUI5 PA 系统由四个组件构成：

- A. 具备针对所有系统组件的集成电子装置的低音炮。
- B. 在顶部和底面有连接器的两个相同间隔垫片。
- C. 有扬声器且底面有连接器的柱式组件。

将低音炮安装在所需位置后，将间隔垫片安装到低音炮上，然后安装带扬声器的柱式组件。取决于应用情况，亦可以在低音炮上仅安装一个间隔垫片的方式操作带扬声器的柱式组件。

连接器和操作

在此设备中，不仅整个系统的音量而且低音炮的音量可根据总音量调整。源播放器可通过对称和非对称电缆（XLR/6.3 毫米插孔/迷你插孔）连接。集成4信道混频器具有一个麦克风输入端、一个用于电吉他等的高阻抗抗乐器输入端、一个用于线路电平源播放器的输入端，以及一个蓝牙单元。



连接器、操纵及显示组件



① MIC 输入

对称麦克风输入端（XLR/ 6.3 毫米插孔组合）。亦可使用非对称的麦克风电缆（单声道插孔）。麦克风输入端具有内置100赫兹低切滤波器，以压制干扰性低频信号。提示：在麦克风输入端不存在幻像电源。

② HI-Z 输入

带有用于声学吉他或电吉他的6.3毫米插孔插座的单声道输入端。可同时使用MP3输入端和 HI-Z输入端，且必须根据乐器或源播放器调整音量比例。

③ MP3 输入

有3.5毫米插孔插座的立体声线路输入端，其用于MP3播放器或其它源播放器。对现有立体声信号增添了内置单声道信号。可同时使用MP3输入端和 HI-Z输入端，且必须根据乐器或源播放器调整音量比例。

④ 线路

对线路信道的音量控制器（低音炮背面的线路输入端）。向左拧动减小音量，向右拧动增大音量。

⑤ MIC

对麦克风信道的音量控制器向左拧动减小音量，向右拧动增大音量。

⑥ MP3 / HI-Z

对MP3或乐器的音量控制器。向左拧动减小音量，向右拧动增大音量。可同时使用MP3输入端和 HI-Z输入端，且必须根据乐器或源播放器调整音量比例。

⑦ 蓝牙®

对于蓝牙单元®的音量控制。向左拧动减小音量，向右拧动增大音量。

⑧ 高音增强（HI-BOOST）

针对室内音响效果调节高音播放的高架过滤器（左止动位置=中性声响，向右转=高音增强）。

⑨ 子级（SUB LEVEL）

根据柱式扬声器调整低音炮的音响比例。

10 主級 (MAIN LEVEL)

調整總音量。根據SUB LEVEL電平控制器上的默認調整低音炮音量。

11 LED指示燈

打開：燈亮時，表明設備與電網正確連接，並已接通電源。

信號：亮起時，表明設備上有音頻信號。在 MAIN LEVEL 控制器之前獲得信號。

限度：亮起時，表明揚聲器系統在上限區域運行。LED的瞬間閃爍並不重要。為了保護系統，內置限制器會將過高的信號電平平緩地調低。如限制器LED亮得更長久或更穩定，可將音量電平降低。如不遵守規則會導致声响播放失真和揚聲器系統損壞。

保護：當系統過載/過熱亮起。該放大器自動靜音。達到正常运行條件後，該裝置在幾分鐘後重新返回到正常工作模式。

12 藍牙® LED

LD MAUI5數組系統的混頻器上配備有藍牙，這意味着其他藍牙設備的音頻文件（例如，智能電話）可在LD MAUI的5個揚聲器上播放（兩個設備之間的最大距離約為10米）。如果無藍牙設備連接到內部藍牙單元，該藍色藍牙LED不顯示信號，而在耦合待機時，LED以約3Hz的頻率有節奏地閃爍，如藍牙LED持久亮起，則存在藍牙連接，即可開始播放曲目。借助藍牙® 音量控制器（第7號），或在源播放器上，進行音量調整。

13 保存連接 (HOLD TO LINK)

如要將內置藍牙單元與一台藍牙設備耦合連接，按住HOLD to LINK按鈕約5秒鐘，直到藍牙指示燈有節奏地閃爍（約3赫茲），遂在藍牙設備上啟用藍牙，並在用戶界面上搜索可用設備。選擇條目“LD MAUI5”，從而將藍牙設備與藍牙單元連接，然後即可開始播放曲目。如要結束連接，再次按住HOLD to LINK按鈕約3秒。如果藍牙連接中斷（例如，超出有效範圍），藍牙LED指示燈熄滅。在約90秒內連接可自動恢復（藍牙設備再次回到有效範圍內）。如中斷時間超過90秒，LD MAUI5揚聲器的藍牙模塊會自動關閉。

14 稱線路輸入端 (左/右) (LINE INPUT LEFT/RIGHT)

有XLR/6.3毫米插孔組合插座（左/右）的對稱線路輸入端，用於連接源播放機（例如，混頻器、鍵盤）。連接單声道信號源時，請使用該線路輸入端（左/單声道）。

15 電源接座和保險絲座

帶有集成保險絲座的IEC電源插座。適用電源電纜線包括在供貨範圍內。LD系統MAUI5數組系統適用於兩個工作電壓範圍（100伏——120伏交流電和200伏——240伏交流電）

轉換是自動完成的。重要提示：請在更換保險絲時，僅採用相同類型且具相同值的保險絲。請注意壳体上的標籤。如果保險絲反復燒斷，請聯絡授權服務中心。

16 電源開/關 (POWER ON / OFF)

用於設備電壓供應的開關。

LD系統的LECC DSP (LD SYSTEMS LECC DSP)

術語“LD Systems LECC DSP”意味什麼？

DSP是數字信號處理的縮寫，LECC是代表限制器、均衡器、壓縮器和分頻器的縮寫。數字信號處理確保最大清晰度的最佳音頻播放，同時對PA系統超過保護作用。

“LECC DSP”的作用究竟是什麼？

限制器的功能是保護揚聲器，並防止超載造成的扭曲。當電平超過可能帶來負面效應的數值時，對於低音、中音和高音範圍的單獨限制器會使信號衰減。對應三個彼此緊密連接的頻率範圍中的一個，每個限制器受到優化（多頻帶限制器）。該系統可以這種方式在更高整體聲壓下運行，因為極端信號峰會自動衰減，總音量不需要降低。多頻帶均衡器處理整個頻率範圍，並優化該系統的整体响聲。

壓縮機會自動切換，以提高低音，從而產生更強有力的聲音。隨著越來越高的音量，低音增強（Bass-Boost）效果會自動降低。以這種方式自動控制的低音最佳適應整体响聲。

分頻器根據各揚聲器的頻率範圍，以及低音炮或數組柱中的中音和高音揚聲器分配音頻信號。分頻器的幅度和持續時間優化確保均勻輸出所有頻率，並同時到達收聽者。

技术参数

型号名称：	LDMAUI5 (W)
类型：	带集成混频器和蓝牙超小型柱式PA系统
低音炮：	1 x 8" 反射式低音音箱
立式阵列系统：	4 x 3"
放大器：	D级
辐射角（横向 x 纵向）：	120° x 20°
输出功率（平均值/峰值）	2 x 100W / 2 x 400W
频带：	50Hz - 20kHz
最大声压电平（峰值）：	120dB
保护控制：	多段母带处理限制器（DSP），短路，超压，过热
操作元件：	主声道音量，低音炮音量，高音增强，麦克风音量，MP3/高阻乐器音量，线路音量，蓝牙®音量，蓝牙®键，开机/关机开关
指示元件：	开机，信号，限度，保护，蓝牙®
低音炮接头：	线路输入端：2x 组合插座XLR/6.3mm 插孔，麦克风输入端：XLR/6.3mm 插孔，MP3 输入端：3.5mm插孔，高阻乐器输入端：6.3mm 插孔
柱式扬声器接头：	特殊的多极接头
外壳材料：	ABS（丙烯腈 - 丁二烯 - 苯乙烯）
供电：	开关电源
电流接头：	IEC
工作电压：	AC 100 - 120V, 50/60Hz AC 200 - 240V, 50/60Hz
消耗功率（最大）：	300W
温度范围：	0°C - 50°C
空气相对湿度：	10% - 70%（不形成冷凝水）
规格尺寸 （宽x高x进深）：	低音炮：305 x 405 x 395mm 柱式扬声器（3个）：82 x 535 x 105mm
重量：	11.3kg
特征：	使用 LD LECC DSP（限制器，均衡器，压缩机，分频器）、高音增强、麦克风声道中的100Hz 高通滤波器进行信号处理，通过多极插头和蓝牙®进行简单连接
可以获得的配件：	柱式扬声器运输袋（LDM5SATBAG），低音炮保护罩（LDM5SUBPC）

制造商声明

制造商质保和责任限制

我们的当前质保条件和责任限制请登录：<http://www.adamhall.com/media/shop/downloads/documents/manufacturersdeclarations.pdf>。在服务情况下请联系 Adam Hall GmbH，地址：Daimlerstraße 9, 61267 Neu Anspach，邮政编码：61267 / 电子邮箱：Info@adamhall.com / 电话：+ 49 (0) 6081 / 9419 - 0。请通过电子邮件 info@adamhall.com 查询当前达标声明。



正确清理本产品

（在欧盟和其它要求垃圾分离的欧洲国家内有效）产品或所属文件上的这一符号表示本设备在产品寿命结束时不得与常规生活垃圾一起清理，以免因垃圾清理而造成环境危害和人身伤害。请将本产品与其它垃圾分开清理并提供回收，以促进可持续性经济循环。个人客户请向经销本产品的经销商或各地区相应政府机关索取有关有利于环境进行清理的各种可能性的信息。工商业用户请联系供应商并检查必要时通过合同所协议的设备清理条件。本产品不得与其它工商业垃圾一起清理。

您作出了正確的選擇！

在高品質要求下開發和生產了本設備，確保多年順利運行。LD SYSTEMS作為高端音響產品製造商，以其名聲和常年經驗為此提供保障。請認真閱讀本操作說明書，以便能夠迅速最佳使用LD SYSTEMS的這款新產品。有關LD SYSTEMS的更多資訊，敬請登入我們的網頁WWW.LD-SYSTEMS.COM。

安全提醒

1. 請認真通讀本說明書。
2. 請將所有資訊和說明儲存在可靠地點。
3. 請遵循各項規範。
4. 請注意所有警告。請不要從設備上去除安全提醒或其它資訊。
5. 請只以預定方式使用設備。
6. 請只使用穩定而又合適的三角架或固定件（當固定安裝時）。請確保按規定安裝和固定牆上支架。請確保設備已經安全安裝並且不會掉落。
7. 安裝時，請注意本國所適用的各項安全規範。
8. 請不要在取暖器、儲熱器、爐子或其它熱源附近安裝和使用設備。安裝設備時，請關注設備始終可以充分冷卻並且不會過熱。
9. 請不要將熱源放到設備上，例如正在燃燒的蠟燭。
10. 不得封閉通風口。
11. 請勿緊靠在水的附近使用設備。請勿讓設備與可燃材料、液體或氣體接觸。避免陽光直接輻射！
12. 請關注不要有滴水或噴水滲入到設備中。請勿將裝有液體的容器放到設備上，例如花瓶或飲料瓶。
13. 請關注不要有異物掉落到設備內。
14. 請只使用製造商推薦和預定的配件使設備運行。
15. 請不要拆開和改造設備。
16. 連接好設備後，請檢查所有電纜線路，以免因絆倒等而發生損害或事故。
17. 運輸時，請注意設備不會掉落以及有可能造成財產損失和人身傷害。
18. 一旦設備不能正常發揮功能，或者液體或異物進入到設備內部，或者設備以其它方式受到損壞，則請立即關機並與電源插座斷開（如果正在使用使用）。只允許接受授權的專業人員維修本設備。
19. 請使用幹毛巾清潔設備。
20. 請注意本國所適用的所有清理工規。清理包裝時，請將塑膠和紙或紙板分開。
21. 塑膠袋必須儲存在兒童觸及範圍之外。

在帶電源接頭的設備中

22. 注意：如果設備電源線配備了一個保護觸點，則必須將其連接到帶保護導線的插座上。請從不要使電源線的保護導線失效。
23. 當設備承受了嚴重溫度波動時（例如在運輸後）請不要立即啟動設備。濕氣和冷凝水可損壞設備。只有當達到了室溫後方才啟動設備。
24. 在將設備連接到插座上，首先請檢查電源的電壓和頻率是否與設備上所標註的參數值一致。如果設備具有一個電壓選擇開關，則只有當設備的參數值與電源的參數值一致時，方才將其連接到插座上。如果隨機提供的電源線或隨機提供的電壓轉接器與電源插座不匹配，則請聯絡電工。
25. 請不要踩到電源線。尤其請關注不要折彎電源插座或電源轉接器和設備插座上的通電電纜。
26. 在給設備接線時，請始終注意一直可以自由接觸到電源線或電源轉接器。當設備不用或想要清潔設備時，請始終將設備斷電。請始終在插頭或轉接器上，而不是在電纜上從插座上拔下電源線。從不要用濕手接觸電源線和電源轉接器。
27. 請盡最大可能不要先後快速啟動和關閉設備，否則有可能影響設備壽命。
28. 重要提醒：請只換用相同型號和電流值的保險絲。保險絲如再次熔斷，則請聯絡接受授權的售後服務中心。
29. 為將設備完全斷開電源，請從插座上拔下電源線或轉接器。
30. 如果設備配備了一個可以鎖定的電源接頭，則在可以去除之前必須將合適的設備插頭解鎖。但這也意味著設備可因拉動電源線而滑落和掉落，由此可傷及人員和/或產生其它損害。因此，請始終認真鋪設電纜。
31. 當存在雷擊危險或者設備較長時間不用時，請從插座上拔下電源線。



注意

從不要去除罩蓋，因為否則則存在觸電風險。設備內部沒有操作人員能夠維修或保養的零件。請只讓有資質的維修服務人員進行維修。



帶閃電符號的等腰三角形警告設備內部存在可造成觸電的不絕緣危險電壓。



帶感嘆號的等腰三角形表示重要的操作提醒和保養提醒。
注意音訊產品產生高音量！

本設備預定用於專業用途。本設備的商業運行執行各國有效的事故預防規範和準則。作為製造商，Adam Hall有限公司有法定義務詳細向您指出可能存在的各項健康風險。

因持續承受高音而損害聽力：使用本產品時產生可導致演藝人員、員工和觀眾遭受不可逆聽力損害的高聲壓電平 (SPL)。



為了防止有可能損害聽覺，請避免在高音量下長時間聽音。
高音量影響即使是短時間也可損害聽力。請將音量始終保持舒適的水準。

提示：该设备已通过测试并符合 FCC 规定项下第 15 部分 B 类数字式设备的极限值。这些极限值为住宅安装提供了充分的抗干扰保护。本设备会产生并使用高频能量并能辐射这些能量。如非根据制造商说明进行安装和操作，则无线电/电视接收中可能出现干扰。就此而言，无法保证特定安装中不出现感应干扰。如果本设备在无线电和/或电视接收中受到干扰，并且该状态可通过设备通电和断电加以验证，则用户应尝试通过下列一项或多项措施消除干扰：

- 重新定位接收天线，或采用不同的设置。
- 增加设备和接收器之间的距离。
- 将设备连接到其他未连接接收器的电路。
- 如有任何疑问，请联系经销商或经验丰富的收音机/电视技术员。

引言

引言

LD系統MAUI 5——帶混頻器和藍牙 (Bluetooth)®的超小型柱式PA

MAUI 5僅重11.3公斤，集超小型的PA系統和監控系統於一體。該MAUI系列的最小裝置由專門開發的多針連接器和僅有的4個組件構成，在幾秒鐘內即可裝配完畢，且具有廣泛照射和高反向耦合強度，足以令人信服。MAUI 5攜帶方便，且適合於任何汽車座椅。有8英寸低音炮底座的低音反射式音箱還容納了該系統的D類功放單元（具備過電流、過熱和短路保護電路）、LD系統的數字LECC信號處理裝置和一臺4通道混頻器。適用於無線傳輸的集成藍牙®技術，以及同時可配備的麥克風、線路和高阻抗輸入端，可將各種不同信號源連接到MAUI 5。這些信號源包括各種演奏樂器和器械，如吉他、鍵盤等。低音炮和系統的單獨減速器、音量控制器，以及針對室內音響效果調節高音播放的一臺高架過濾器，使得能實現完美協調的性能。

一般說明

必須將LD系統之MAUI5 PA系統的低音炮在調試前垂直置於其該系統基部平面上。請勿在滾動車上操作該系統，因為存在因整個系統失控而造成移動的風險，從而可能會導致事故和損壞。為了確保足夠冷卻，操作時必須在低音炮背面與牆壁等其他類似物件之間至少保持50厘米的距離。

請確保系統以及所連接的混頻器、CD播放機等設備與合適音頻及電源連接器連接。請僅使用直徑合適且未損壞的纜線，並總是將纜線卷完全展開。必要時請使用纜線橋架，以避免因鬆動電纜絆倒的情況。切勿將此設備安裝在邊緣上。請勿將低音炮放置在桌上。為了在打開所連接的設備時避免不必要的背景噪音，請總是將您的系統在所有設備中作為最後一個打開並作為第一個關閉。

安裝

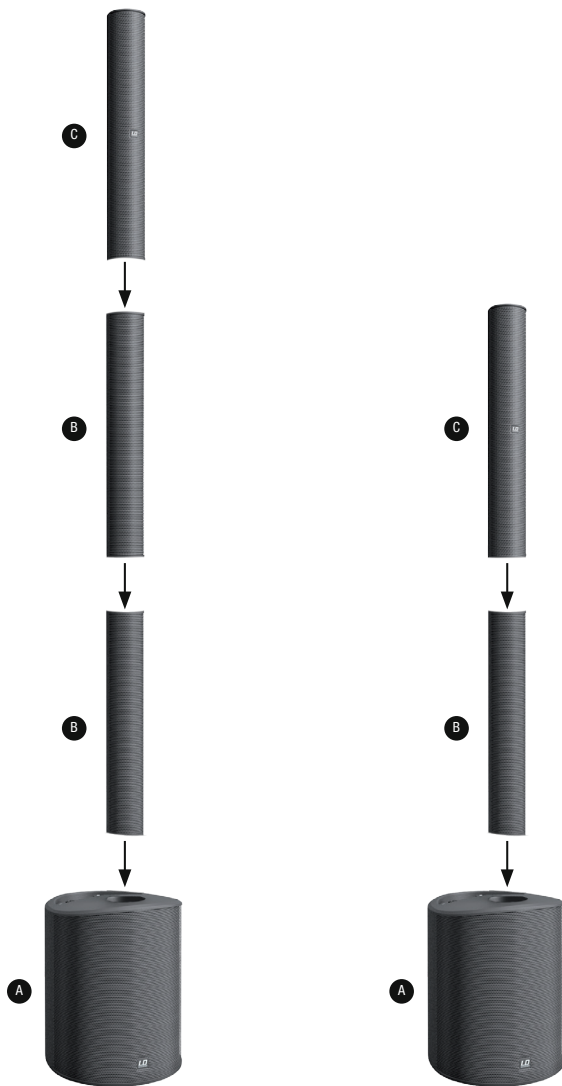
該LD系統的MAUI5 PA系統由四個組件構成：

- A. 具備針對所有系統組件的集成電子裝置的低音炮。
- B. 在頂面和底面有連接器的兩個相同間隔墊片。
- C. 有揚聲器且底面有連接器的柱式元件。

將低音炮安裝在所需位置後，將間隔墊片安裝到低音炮上，然後安裝帶揚聲器的柱式元件。取決於應用情況，亦可以在低音炮上僅安裝一個間隔墊片的方式操作帶揚聲器的柱式元件。

連接器和操作

在此設備中，不僅整個系統的音量而且低音炮的音量可根據總音量調整。源播放機可通過對稱和非對稱電纜（XLR/6.3毫米插孔/迷你插孔）連接。集成4通道混頻器具有一個麥克風輸入端、一個用於電吉他等的高阻抗樂器輸入端、一個用於線路電平源播放機的輸入端，以及一個藍牙單元。



連接器、操縱及顯示元件



① MIC 輸入

對稱麥克風輸入端 (XLR/ 6.3毫米插孔組合)。亦可使用非對稱的麥克風電纜 (單聲道插孔)。麥克風輸入端具有內置100赫茲低切濾波器，以壓制干擾性低頻信號。提示：在麥克風輸入端不存在幻像電源。

② HI-Z 輸入

帶有用於聲學吉他或電吉他的6.3毫米插孔插座的單聲道輸入端。可同時使用MP3輸入端和 HI-Z輸入端，且必須根據樂器或源播放機調整音量比例。

③ MP3 輸入

有3.5毫米插孔插座的立體聲線路輸入端，其用於MP3播放機或其它源播放機。對現有立體聲信號增添了內置單聲道信號。可同時使用MP3輸入端和 HI-Z輸入端，且必須根據樂器或源播放機調整音量比例。

④ 線路

對線路通道的音量控制器 (低音炮背面的線路輸入端)。向左擰動減小音量，向右擰動增大音量。

⑤ MIC

對麥克風通道的音量控制器向左擰動減小音量，向右擰動增大音量。

⑥ MP3 / HI-Z

對MP3或樂器的音量控制器。向左擰動減小音量，向右擰動增大音量。可同時使用MP3輸入端和 HI-Z輸入端，且必須根據樂器或源播放機調整音量比例。

⑦ 藍牙®

對於藍牙單元®的音量控制。向左擰動減小音量，向右擰動增大音量。

⑧ 高音增強 (HI-BOOST)

針對室內音響效果調節高音播放的高架過濾器 (左止動位置=中性聲響，向右轉=高音增強)。

⑨ 子級 (SUB LEVEL)

根據柱式揚聲器調整低音炮的音響比例。

⑩ 主級 (MAIN LEVEL)

調整總音量。根據SUB LEVEL電平控制器上的預設調整低音炮音量。

11 LED指示燈

開啟:燈亮時,表明設備與電網正確連接,并已接通電源。

信號:亮起時,表明設備上有音頻信號。在MAIN LEVEL控制器之前獲得信號。

限度:亮起時,表明揚聲器系統在上限區域運行。LED的瞬時閃爍並不重要。為了保護系統,內置限制器會將過高的信號電平平緩地調低。如限制器LED亮得更長久或更穩定,可將音量電平降低。如不遵守規則會導致聲響播放失真和揚聲器系統損壞。

保護:當系統過載/過熱亮起。該放大器自動靜音。達到正常運行條件後,該裝置在幾分鐘后重新返回到正常工作模式。

12 藍牙® LED

LD MAUI5陣列系統的混頻器上配備有藍牙,這意味著其他藍牙設備的音頻文件(例如,智能電話)可在LD MAUI的5個揚聲器上播放(兩個設備之間的最大距離約為10米)。如果無藍牙設備連接到內部藍牙單元,該藍色藍牙LED不顯示信號,而在耦合待機時,LED以約3Hz的頻率有節奏地閃爍,如藍牙LED持久亮起,則存在藍牙連接,即可開始播放曲目。藉助藍牙® 音量控制器(第7章),或在源播放機上,進行音量調整。

13 保存連接 (HOLD TO LINK)

如要將內置藍牙單元與一臺藍牙設備耦合連接,按住HOLD to LINK按鈕約5秒鐘,直到藍牙指示燈有節奏地閃爍(約3赫茲),遂在藍牙設備上啟用藍牙,並在用戶界面上搜索可用設備。選擇條目“LD MAUI5”,從而將藍牙設備與藍牙單元連接,然後即可開始播放曲目。如要結束連接,再次按住HOLD to LINK按鈕約3秒。如果藍牙連接中斷(例如,超出有效範圍),藍牙LED指示燈熄滅。在約90秒內連接可自動恢復(藍牙設備再次回到有效範圍內)。如中斷時間超過90秒,LD MAUI5揚聲器的藍牙模塊會自動關閉。

14 稱線路輸入端(左/右)(LINE INPUT LEFT/RIGHT)

有XLR/6.3毫米插孔組合插座(左/右)的對稱線路輸入端,用於連接源播放機(例如,混頻器、鍵盤)。連接單聲道信號源時,請使用該線路輸入端(左/單聲道)。

15 電源插座和保險絲座

帶有集成保險絲座的IEC電源插座。適用電源纜線包括在供貨範圍內。LD系統MAUI5陣列系統適用於兩個工作電壓範圍(100伏——120伏交流電和200伏——240伏交流電)。

轉換是自動完成的。重要提示:請在更換保險絲時,僅採用相同類型且具相同值的保險絲。請注意殼體上的標籤。如果保險絲反復燒斷,請聯絡授權服務中心。

16 電源開/關(POWER ON/OFF)

用於設備電壓供應的開關。

LD系統的LECC DSP (LD SYSTEMS LECC DSP)

術語「LD Systems LECC DSP」意味什麼?

DSP是數字信號處理的縮寫,LECC是代表限制器、等化器、壓縮器和分頻器的縮寫。數字信號處理確保最大清晰度的最佳音頻播放,同時對PA系統起過載保護作用。

「LECC DSP」的作用究竟是什麼?

限制器的功能是保護揚聲器,並防止超載造成的扭曲。當電平超過可能帶來負面效應的數值時,對於低音、中音和高音範圍的單獨限制器會使信號衰減。對應三個彼此緊密連接的頻率範圍中的一個,每個限制器受到優化(多頻帶限制器)。該系統可以這種方式在更高整體聲壓下運行,因為極端信號峰會自動衰減,總音量不需要降低。多頻帶等化器處理整個頻率範圍,並優化該系統的整體聲響。

壓縮機會自動切換,以提高低音,從而產生更強有力的聲音。隨著越來越高的音量,低音增強(Bass-Boost)效果會自動降低。以這種方式自動控制的低音最佳適應整體聲響。

分頻器根據各揚聲器的頻率範圍,以及低音炮或陣列柱中的中音和高音揚聲器分配音頻信號。分頻器的幅度和持續時間優化確保均勻輸出所有頻率,並同時到達收聽者。

技術參數

型號名稱：	LDMAUI5 (W)
類型：	帶混頻器和藍牙的超小型柱式PA系統
低音炮：	1 x 8"反射式低音音箱
立式陣列系統：	4 x 3"
放大器：	D級
輻射角（橫向 x 縱向）：	120° x 20°
輸出功率（平均值/峰值）：	2 x 100 W / 2 x 400 W
頻帶：	50 Hz – 20 kHz
最大聲壓電平（峰值）：	120 dB
保護控制：	多段母帶處理限制器（DSP），短路，超壓，過熱
操作元件：	主聲音音量，低音炮音量，高音增強，麥克風音量，MP3/高阻樂器音量，線路音量，藍牙®音量，藍牙®鍵，開機/關機開關
指示元件：	開機，信號，限度，保護，藍牙®
低音炮接頭：	線路輸入端：2x 組合插座XLR/6.3mm插孔，麥克風輸入端：XLR/6.3mm插孔，MP3輸入端：3.5mm插孔，高阻樂器輸入端：6.3mm插孔
柱式揚聲器接頭：	特殊的多極接頭
外殼材料：	ABS（丙烯腈 - 丁二烯 - 苯乙烯）
供電：	開關電源
電流接頭：	IEC
工作電壓：	AC 100 - 120V, 50/60Hz AC 200 - 240V, 50/60Hz
消耗功率（最大）：	300W
溫度範圍：	0°C - 50°C
空氣相對濕度：	10% - 70%（不形成冷凝水）
規格尺寸（寬x高x進深）：	低音炮：305 x 405 x 395 mm 柱式揚聲器（3個）：82 x 535 x 105 mm
重量：	11.3 kg
11.3kg	使用LD LECC DSP（限制器，等化器，壓縮器，分頻器）、高音增強、麥克風聲道中的100Hz高通濾波器進行信號處理，透過多極接頭和藍牙®進行簡單連接
可以獲得的配件：	柱式揚聲器運輸袋（LDM5SATBAG），低音炮保護罩（LDM5SUBPC）

製造商聲明

製造商質保和責任限制

我們的當前質保條件和責任限制，請登入：<http://www.adamhall.com/media/shop/downloads/documents/manufacturersdeclarations.pdf>。在服務情況下，請聯絡Adam Hall GmbH，地址：Daimlerstraße 9, 61267 Neu Anspach，郵遞區號：61267 / 電子郵件：Info@adamhall.com / 電話：+49 (0) 6081 / 9419 - 0。請透過電子郵件info@adamhall.com查詢當前違標聲明。

正確清理本產品

（在歐盟和其它要求垃圾分離的歐洲國家內有效）產品或所屬檔案上的這一符號表示本設備在產品壽命結束時不得與常規生活垃圾一起清理，以免因垃圾清理而造成環境危害和人身傷害。請將本產品與其它垃圾分開清理並提供回收，以促進可持續性經濟迴圈。個人客戶請向經銷本產品的經銷商或各地區相應政府機關索取有關有利於環境進行清理的各種可能性的資訊。工商業使用者請聯絡供應商，必要時，檢查合約所協定的設備清理條件。本產品不得與其它工商業垃圾一起清理。

根據NCC低功率電波輻射性電機管理辦法規定：

(1)第十二條經型式認證合格之低功率射頻電機，非經許可，公司、商號或使用者均不得擅自變更頻率、加大功率或變更原設計之特性及功能。(2)第十四條

低功率射頻電機之使用不得影響飛航安全及干擾合法通信；經發現有干擾現象時，應立即停用，並改善至無干擾時方得繼續使用。前項合法通信，指依電信法規定作業之無線電通信。低功率射頻電機須忍受合法通信或工業、科學及醫療用電波輻射性電機設備之干擾。

