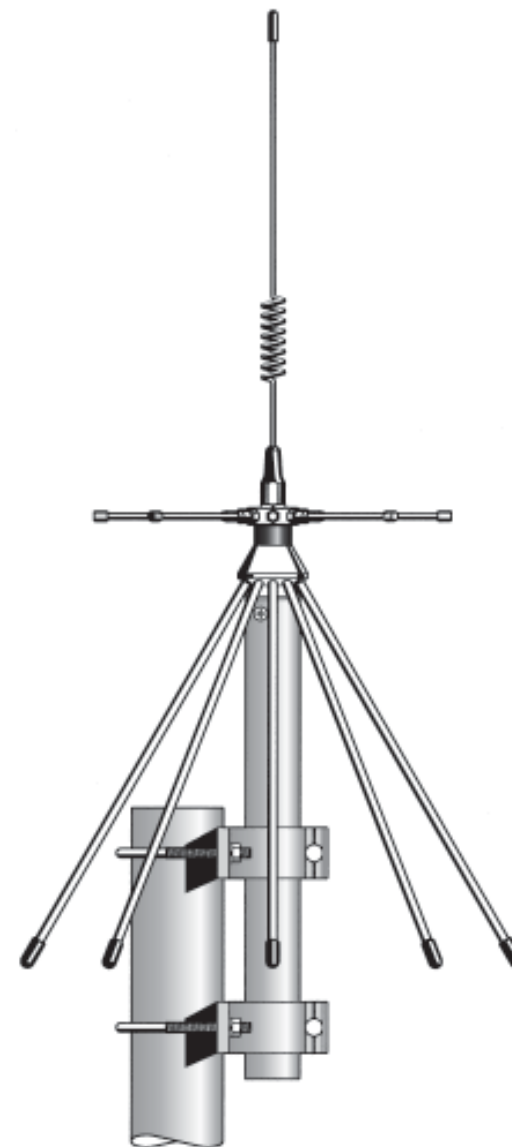


**Model SD 3000 U/N**  
*Wide-band Base Station Antenna*



***Installation Manual***

## DESCRIPTION

Wide-band discone antenna working on 300-3000 MHz in reception and on many amateur frequencies in transmission (70cm, 33cm, 23cm, 13cm). It is made of stainless steel, chromed brass and anodized aluminium to guarantee the best efficiency and performance. Easy to fit, it can be suitable for the installation everywhere. Two versions are available: SD 3000 U with UHF-female connection, and SD 3000 N with "N" female connection.

## SPECIFICATIONS

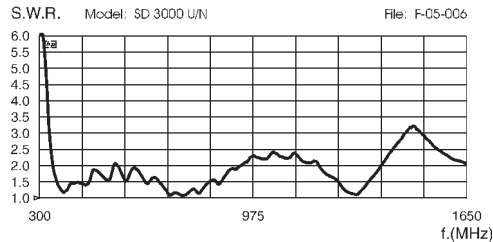
### Electrical Data

Type	:	Discone
Frequency Range (RX band)	:	300-3000 MHz
(TX band) at VSWR ≤ 2:1	:	340...535; 545...960; 1180...1380; 1660...1910; 1980...3000 MHz
Impedance	:	50 Ω Unbalanced
Radiation (H-plane)	:	360° Omnidirectional
Polarization	:	Vertical
Gain	:	0 dBd - 2.2 dBi
Max Power	:	200 Watts
Feed System / Position	:	Direct / Center
Connection	:	SD 3000 N = N-Female SD 3000 U = UHF- Female

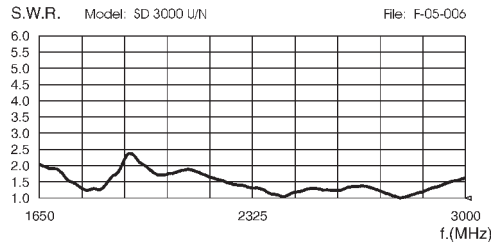
### Mechanical Data

Materials	:	Aluminium, Chromed Brass, Stainless steel, Nylon
Wind Load / Resistance	:	32 N at 150 Km/h / 150 Km/h
Wind Surface	:	0.03 m <sup>2</sup>
Height (approx.)	:	725 mm
Weight (approx.)	:	830 gr
Mounting Mast	:	Ø 25-54 mm

TYPICAL S.W.R. RESPONSE



TYPICAL S.W.R. RESPONSE



## MOUNTING INSTRUCTIONS

