

A148-3S

**2 METER FM YAGI ANTENNA
144-148 MHz**



951438 (5/93)

WARNING

THIS ANTENNA IS AN ELECTRICAL CONDUCTOR. CONTACT WITH POWER LINES CAN RESULT IN DEATH, OR SERIOUS INJURY. DO NOT INSTALL THIS ANTENNA WHERE THERE IS ANY POSSIBILITY OF CONTACT WITH OR HIGH VOLTAGE ARC-OVER FROM POWER CABLES OR SERVICE DROPS TO BUILDINGS. THE ANTENNA, SUPPORTING MAST AND/OR TOWER MUST NOT BE CLOSE TO ANY POWER LINES DURING INSTALLATION, REMOVAL OR IN THE EVENT PART OF THE SYSTEM SHOULD ACCIDENTALLY FALL. FOLLOW THE GUIDELINES FOR ANTENNA INSTALLATIONS RECOMMENDED BY THE U.S. CONSUMER PRODUCT SAFETY COMMISSION AND LISTED IN THE ENCLOSED PAMPHLET.

Your Cushcraft A148-3S antenna is designed and manufactured to give top performance and trouble free service. The antenna will perform as specified if the instructions and suggestions are followed and care is used in assembly and installation. When checking the components received in your antenna package use the parts lists in each section. It is easiest to identify the various dimensions of tubing by separating them into groups of the same diameter and length. If you are unable to locate any tube or component, check the inside of all tubing. **IMPORTANT: save the weight label from the outside of the carton. Each antenna is weighed at the factory to verify the parts count. If you claim a missing part, you will be asked for the weight verification label. There is a master parts list on page 2.**

LOCATION

Location of the antenna is very important. Surrounding objects such as trees, power lines, other antennas, etc. will seriously reduce efficiency. To minimize the effects of surrounding objects, mount the antenna as high and in the clear as possible. If metal guy wires are used, they should be broken with strain insulators. **YOU MUST INSURE THAT NEITHER PEOPLE NOR PETS CAN COME IN CONTACT WITH YOUR ANTENNA WHILE IT IS IN OPERATION. DEADLY VOLTAGES AND CURRENTS MAY EXIST. ALSO, SINCE THE EFFECTS OF EXPOSURE TO RF ARE NOT FULLY UNDERSTOOD, LONG TERM EXPOSURE TO INTENSE RF FIELDS IS NOT RECOMMENDED. THERE IS A WARNING STICKER WHICH MUST BE ATTACHED TO THE BOOM AS SHOWN IN FIGURE E.**

Plan your installation carefully. If you use volunteer helpers be sure that they are qualified to assist you. Make certain that everyone involved understands that you are in charge and that they must follow your instructions. If you have any doubts at all employ a professional antenna installation company to install your antenna.

MOUNTING

The A148-3S mast mount bracket will take up to a 2" (5.1 cm) O.D. mast. A 1-1/4" (3.17 cm) television type tubing is satisfactory for any of the single beams. A good heavy-duty antenna rotator will provide the best service and longest life. Often it is desirable to mount several antennas on one mast. To keep possible interaction to minimum, place your antennas as far apart as you can. For vertical polarization (normally FM and packet), mount the A148-3S with the Reddi-Match pointing up. Keep the mast mount bracket on the opposite side of the boom from the elements. This will help to minimize pattern distortion from the mast. For horizontal polarization (normally SSB and CW), mount the A148-3S with the Reddi-Match below the driven element. See page 5 for suggested dual and quad array configurations.

SYSTEM GROUNDING

Direct grounding of the antenna, mast and tower is very important. This serves as protection from lightning strikes, static buildup and high voltage which is present in the radio equipment connected to the antenna. A good electrical connection should be made to one or more ground rods (or other extensive ground system) directly at the base of the tower or mast, using at least #10AWG ground wire and non-corrosive hardware. For details and safety standards, consult the National Electrical Code. You should also use a coaxial lightning arrester. Cushcraft offers several different models, such as LAC-1, LAC-2 and the LAC-4 series.

ASSEMBLY

Assemble your antenna by following the directions and illustrations in steps 1 through 5. After the antenna is completely assembled, verify dimensions and element spacings for accuracy. Then, return to the section below for final tuning.

TUNING PROCEDURE

The A148-3S does not normally require tuning after assembly. However, if you wish to check the VSWR before installation, please observe the following procedures. To prevent detuning the antenna, it should be tuned in place or at least 7 feet (2.1 m) above ground and clear of surrounding objects. Keep all metal obstructions such as guy wires and other antennas at least 7 feet (2.1 m) away since they will nullify any adjustment and degraded performance will result.

Run the coax cable from your transmitter to the area in which the antenna is going to be tested. The length of this cable or your feedline is not critical. Connect a good quality VSWR bridge to the end of this cable. Connect a short length of cable [10 ft (3 m) or less] from the VSWR bridge to the antenna. Set the transmitter to your center operating frequency. When you read VSWR, be sure you move far enough away from the antenna so that your body does not effect the reading.

Measure the VSWR. If it is high, move the tuning strap by 1/4" (.6 cm) in one direction and check the VSWR. If the VSWR improves, then continue moving the tuning strap in the same direction. If the VSWR deteriorates then move the tuning strap in the opposite direction. Repeat this procedure until no further improvement can be made. You have matched your antenna to 50 Ohms. Tighten all connections making sure to keep the Reddi-Match assembly parallel to the element (EB) above. Tape the feedline to the boom and mast (figure G).

MASTER PARTS LIST

KEY	PART #	DESCRIPTION	QUANTITY	KEY	PART #	DESCRIPTION	QUANTITY
11	010011	8-32 stainless steel hex nut	6	326	290326	Danger label	1
26	190026	7/8" x 1-1/2" (2.2 x 3.8 cm) mounting bracket	3	402	013402	5/16" (.8 cm) stainless steel flat washer	2
28	190028	Aluminum half washer	2	405	010405	5/16" x 4-1/2" x 2-7/16" (.8 x 11.4 x 6.2 cm) stainless steel U-bolt	1
32	190032	3-5/8" x 2-1/2" (9.2 x 6.3 cm) U-bolt bracket	1				
33	190033	3-1/2" (8.9 cm) U-bolt backing plate	1	BA		7/8" x 33-1/2" (2.2 x 85.1 cm) aluminum tubing	1
41	011941	#8 stainless steel lock washer	6	CB		Connector bracket	1
53	050053	1/2" (1.27 cm) black plastic cap	2	EA		41" (104.1 cm) element rod	1
61	050061	7/8" (2.22 cm) black plastic cap	2	EB		38" (96.5 cm) element tube, drilled in center	1
79	010079	8-32 x 1/2" (1.3 cm) stainless steel machine screw	2	EC		36" (91.4) element rod	1
115	050115	Connector boot	1	PT		3/16" x 3-1/8" (.5 x 7.9 cm) Poly tube	1
116	240116	Silicone package	1	RR		3/16" x 3-1/4" (.5 x 8.3 cm) Reddi-Match rod	1
118	010118	5/16" (.8 cm) stainless steel hex nut	2	RT		3/8" x 4-1/2" (.9 x 10.8 cm) aluminum tube	1
119	010119	5/16" (.8 cm) stainless steel split lock washer	2				
120	010120	8-32 x 2" (5.1 cm) stainless steel machine screw	1				
125	200125	Tuning strap	1				
231	010231	8-32 x 1-3/4" (4.4 cm) stainless steel machine screw	2				
251	050251	3/8" (.9 cm) white plastic cap	1				

#1 - BOOM ASSEMBLY

To make sure that the elements are mounted on the boom in the proper sequence it is necessary to determine the front and back of the boom (figure A). The four larger holes are the U-bolt mounting holes and are located at the back of the boom.



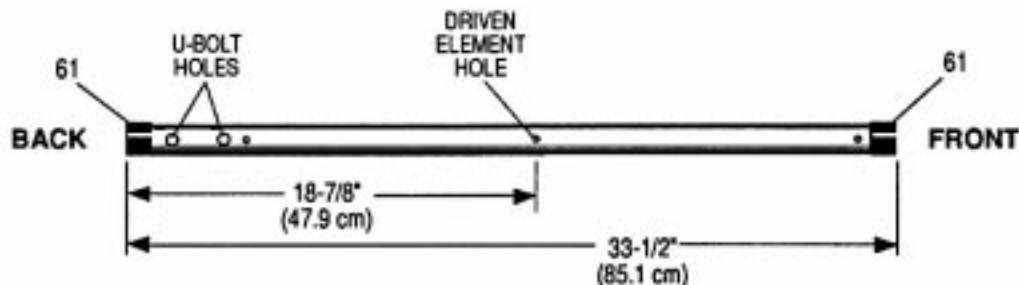
KEY	PIN	DISPLAY	DESC	SIZE	QTY
BA			ALUM TUBE	7/8" x 33-1/2" (2.2 x 85.1 cm)	1
61	050061		PLASTIC CAP	7/8" (2.2 cm)	2

FIGURE A



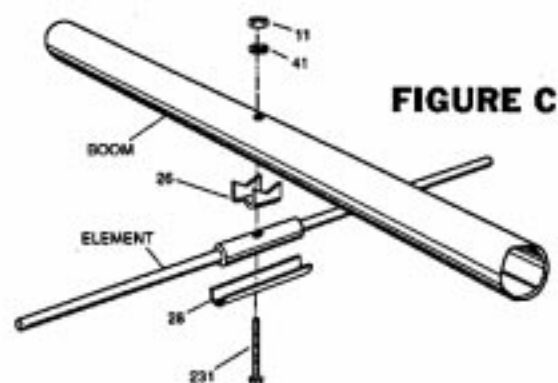
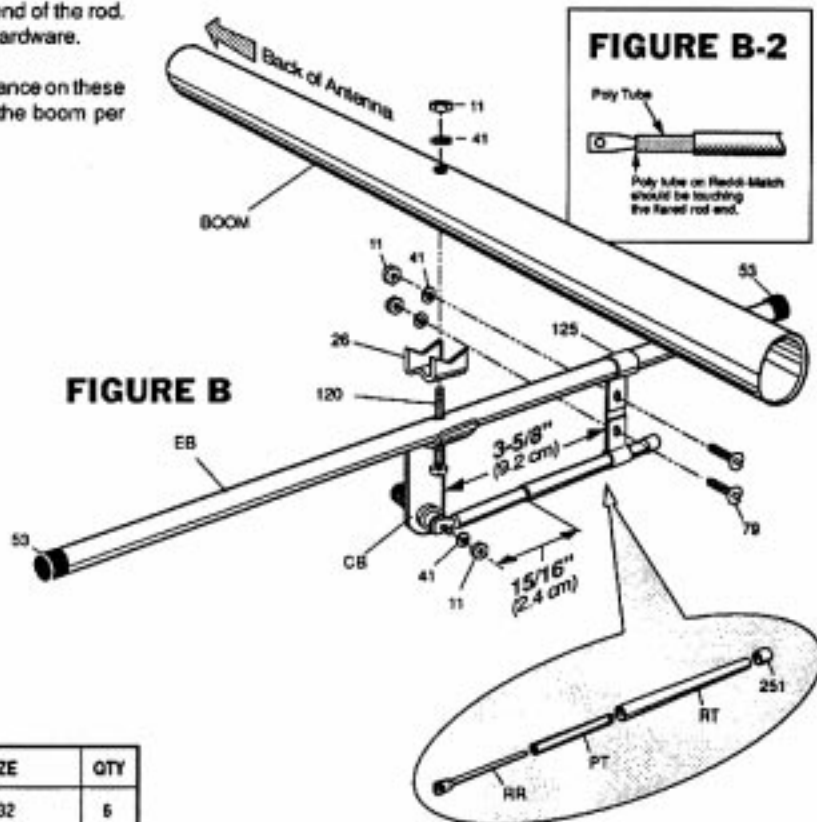
#2 - ELEMENT ASSEMBLY

Assemble the driven element tube (EB) and connector bracket (CB) to the boom at the position shown in figure D using the hardware shown in figure B. Note that the connector points toward the back of the boom. Assemble the Reddi-Match components RR, PT, and RT and 251. Set them aside for the moment. Slide the tuning strap (125) onto the driven element (EB) as shown. Slide the Reddi-Match assembly through the tuning strap and secure the rod (RR) to the connector. Use washer (41) and nut (11). Next, slide the poly tube (PT) to the flattened end of the rod. Set the dimensions shown in figure B and tighten the hardware.

Sort the elements by size using table A. The cutting tolerance on these elements is $\pm 1/16"$ (.16 cm). Attach each element to the boom per figure C referring to figure D for proper location.

**TABLE A
(ELEMENTS)**

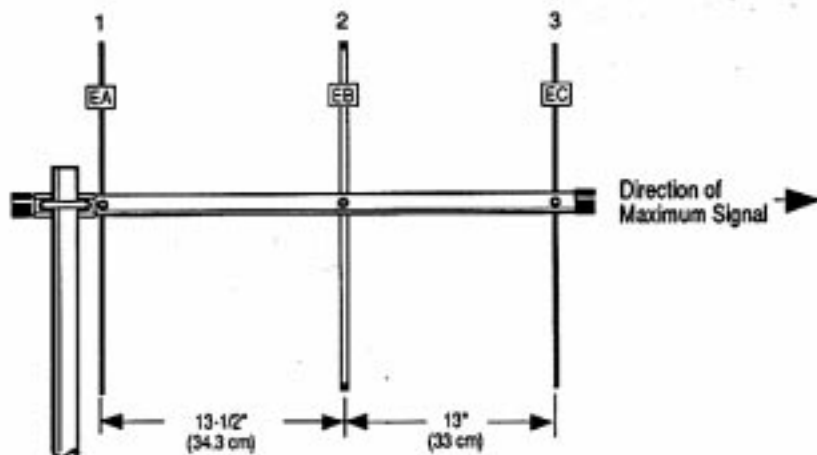
KEY	ELEMENT NO.	LENGTH	
		INCHES	CM
EA	1	41	104.1
EB	2	38	96.5
EC	3	36	91.4



KEY	PN	DISPLAY	DESC	SIZE	QTY
11	010011		SS HEX NUT	8-32	6
26	190026		ALUMINUM BRACKET	7/8" (2.2 cm)	3
28	190028		ALUMINUM HALF WASHER		2
41	011941		SS LOCK WASHER	#6	6
53	050053		PLASTIC CAP	1/2" (1.3 cm)	2
79	010079		SS MACHINE SCREW	8-32 x 1/2" (1.3 cm)	2
120	010120		SS MACHINE SCREW	8-32 x 2" (5.1 cm)	1
125	200125		TUNING STRAP		1
231	010231		SS MACHINE SCREW	8-32 x 1-3/4" (4.4 cm)	2
251	050251		PLASTIC CAP	3/8" (.9 cm)	1
CB			CONNECTOR BRACKET		1
EB			ALUMINUM TUBE	1/2 x 38 (1.3 x 96.5 cm)	1

KEY	PN	DISPLAY	DESC	SIZE	QTY
PT			POLY TUBE	3/16" x 3-1/8" (.5 x 7.9 cm)	1
RR			REDDI-MATCH ROD	3/16" x 3-1/4" (.5 x 8.3 cm)	1
RT			ALUMINUM TUBE	3/8" x 4-1/2" (.9 x 11.4 cm)	1

FIGURE D

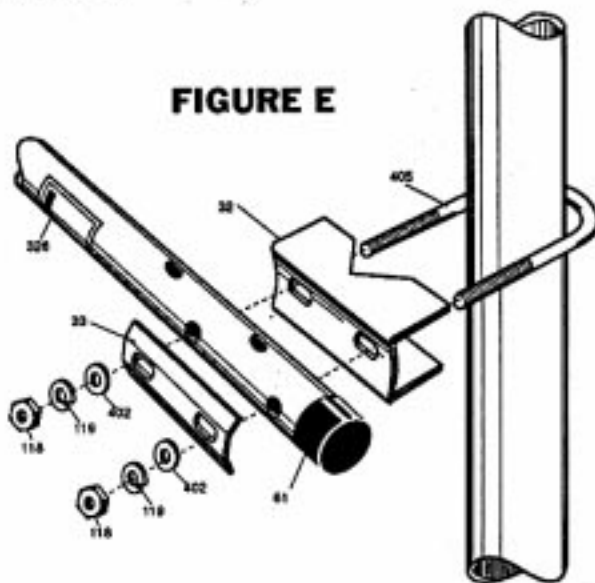


#3 - MAST MOUNT

Mount the antenna to your mast using the U-bolt bracket (32) and the hardware provided per figure E. When you tighten the U-bolt make sure not to crush the boom. Affix the warning label (326) to the boom. See "MOUNTING" on page 1 concerning orientation of mast mount, elements and Reddi-Match.

KEY	PN	DISPLAY	DESC	SIZE	QTY
32	190032		U-BOLT BRACKET	3-5/8 x 2-1/2 (9.2 x 6.3 cm)	1
33	190033		BACKING PLATE	3-1/2" (8.9 cm)	1
118	010118		SS HEX NUT	5/16" (.8 cm)	2
119	010119		SS LOCK WASHER	5/16" (.8 cm)	2
326	290326		DANGER LABEL		1
402	013402		SS FLAT WASHER	5/16" (.8 cm)	2
405	010405		SS U-BOLT	5/16" x 4-1/2" x 2-7/16" (.8 x 11.4 x 6.2 cm)	1

FIGURE E



#4 - CONNECTOR ASSEMBLY

This antenna is designed for use with 50 Ohm coaxial cable terminated with a PL-259 connector. Any length of feedline can be used with your A148-3S. The shortest length of cable will have the least loss. A connector boot is included for use with your new antenna. Slide the boot over the cable before attaching your PL-259 (figure F). Spread silicone on the outer threads of the Reddi-Match and PL-259 connector. **DO NOT COAT THE CENTER PINS OF THE PL-259.** Attach the connector to the Reddi-Match. Apply the remaining silicone to the outside of the connector. Slip the vinyl boot over the connector and against the mast bracket for a weather tight connection.

FIGURE F

KEY	PN	DISPLAY	DESC	SIZE	QTY
115	050115		CONN BOOT		1
116	240116		SILICONE PACKAGE		1



#5 - FEED LINE

Tape your feedline along the boom and down mast (figure G). Any length of feed line can be used with your A148-3S. The shortest length cable will have the least loss.

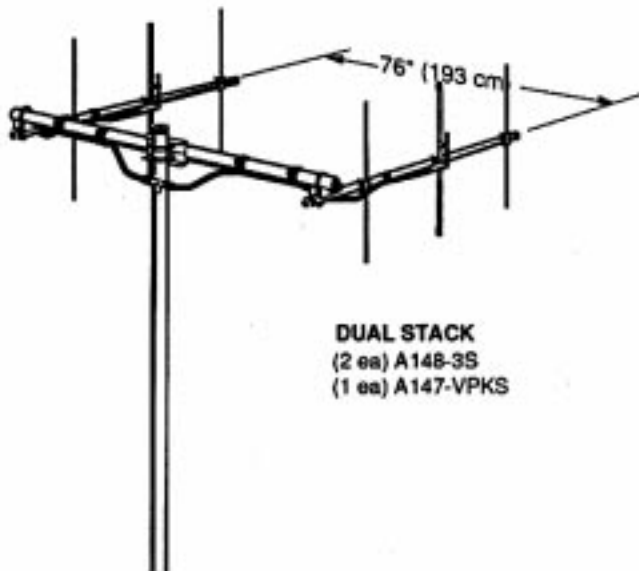
FIGURE G



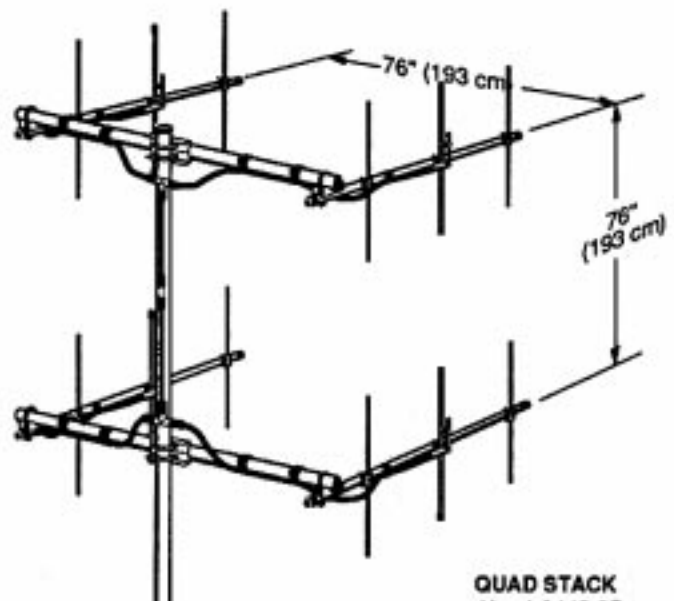
#6 - STACKING OPTIONS

The A148-3S can be stacked in arrays for increased gain and improved radiation patterns. When stacking a pair of A148-3S's use the Cushcraft A147-VPKS stacking kit. The harness by itself is A14-SK. When stacking 4 antennas you will need two A147-VPKS stacking kits and one A14-SK harness.

FIGURE H



DUAL STACK
(2 ea) A148-3S
(1 ea) A147-VPKS



QUAD STACK
(4 ea) A148-3S
(1 ea) A14-SK
(2 ea) A147-VPKS

A148-3S**SPECIFICATIONS**

MODEL	A148-3S	Boom Length, ft (m)	2.8 (.85)
Frequency, MHz	144-148	Longest Element, in(cm)	41" (104.1)
No. Elements	3	Turning Radius, ft (m)	2.8 (.8)
Forward Gain, dBd	7.8	Mast Size Range, in (cm)	1.25-2.0
Front to Back Ratio, dB	25		(3.2-5.1)
SWR 1.2:1 Typical		Wind Load, ft² (m²)	0.27 (0.82)
2:1 Bandwidth MHz	>5	Weight, lb (kg)	1.5 (0.7)
Power Rating, Watts PEP	1000	Hardware	Stainless steel
3 dB Beamwidth, Degrees			
E Plane	66		
H Plane	108		

LIMITED WARRANTY

Cushcraft Corporation, P.O. Box 4680, Manchester, New Hampshire 03108, warrants to the original consumer purchaser for one year from date of purchase that each Cushcraft antenna is free of defects in material or workmanship. If, in the judgement of Cushcraft, any such antenna is defective, then Cushcraft Corporation will, at its option, repair or replace the antenna at its expense within thirty days of the date the antenna is returned (at purchasers expense) to Cushcraft or one of its authorized representatives. This warranty is in lieu of all other expressed warranties, any implied warranty is limited in duration to one year. Cushcraft Corporation shall not be liable for any incidental or consequential damages which may result from a defect. Some states do not allow limitations on how long an implied warranty lasts or exclusions or limitations of incidental or consequential damages, so the above limitation and exclusion may not apply to you. This warranty gives you specific legal rights, and you may also have other rights which vary from state to state. This warranty does not extend to any products which have been subject to misuse, neglect, accident or improper installation. Any repairs or alterations outside of the Cushcraft factory will nullify this warranty.